

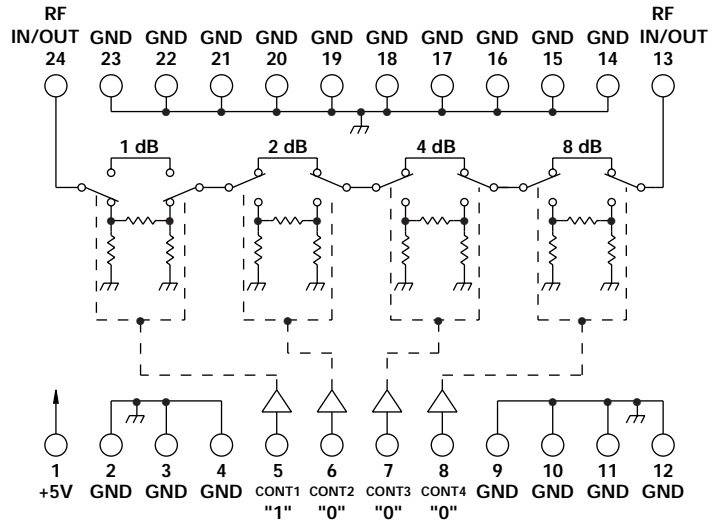
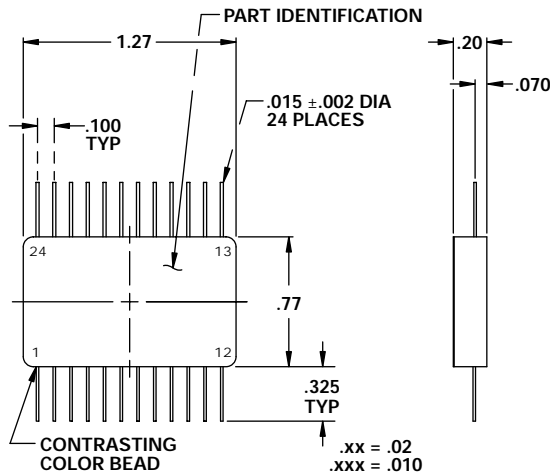
## FEATURES

- 100 - 2000 MHz
- SPACE Application
- Hermetic Package
- Radiation Tolerant, 100 K Rad
- Surface Mount



MODEL NO.  
CAT48053

## GaAs 4 Section Attenuator



## GUARANTEED PERFORMANCE

Parameter	Min	Typ	Max	Units	Conditions
Operating Frequency	100		2000	MHz	
DC Current		0.3	5.0	mA	At +5 VDC Supply
Control Type		CMOS			4 Line Logic "0" = Thru Logic "1" = Attenuation
Control Current		High Low	±1 ±1	±40 ±40 μA	3 - 5 Volts 0 - 0.5 Volts
Insertion Loss		3.4	4.0	dB	
Insertion Loss Flatness			±0.2	dB	Vs. Frequency
Attenuation		LSB Range Accuracy Flatness	0 1 15 ±0.05	1 dB dB dB	1, 2, 4, 8 ±(0.25 dB + 2% of Atten Setting in dB)
VSWR		1.3/1	1.7/1		
Impedance		50		OHMS	
Switching Speed		32	50	nSec	50% Control Signal 90% / 10% RF
Transition (Rise/Fall) Time		22		nSec	10% / 90% or 90% / 10% RF
Switching (Video) Transients		34		mV	Peak Value
Intercept Points		2nd 3rd	+64 +38	+70 +45	dBm dBm
RF Power		Operate No Damage	+20 +10 +25	dBm dBm dBm	0.1 dB Compression
Operating Temperature	0	+25	+65	°C	TA
Non-Operating Temperature	-34		+95	°C	TA

