

FEATURES

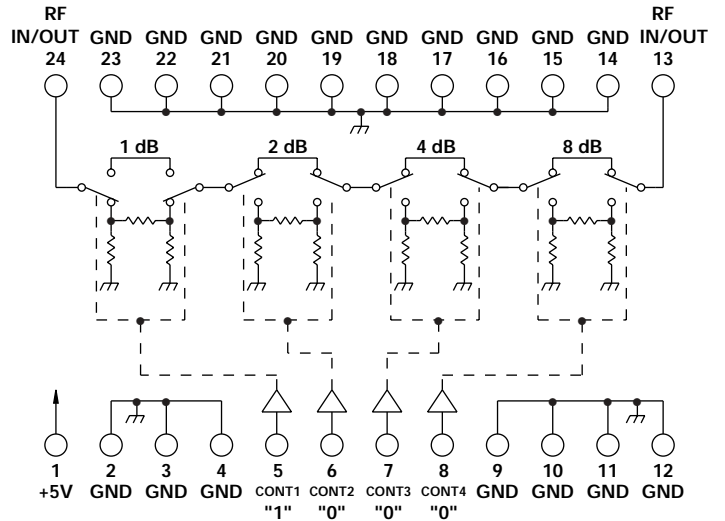
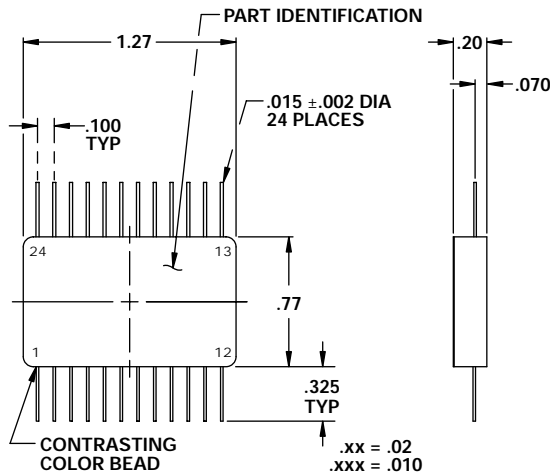
- 1800 - 4200 MHz
- SPACE Application
- Hermetic Package
- Radiation Tolerant, 100 K Rad
- Surface Mount

4 BIT



MODEL NO.
CAT48049

GaAs 4 Section Attenuator



GUARANTEED PERFORMANCE

Parameter	Min	Typ	Max	Units	Conditions	
Operating Frequency	1800		4200	MHz		
DC Current		0.8	5.0	mA	At +5 VDC Supply	
Control Type		CMOS			4 Line Logic "0" = Thru Logic "1" = Attenuation	
Control Current	High Low	0	±40	µA	3 - 5 Volts 0 - 0.5 Volts	
Insertion Loss		5.0	6.0	dB		
Insertion Loss Flatness			±0.2	dB	Vs. Frequency	
Attenuation	LSB Range Accuracy Flatness	0	1	dB	1, 2, 4, 8 ±(0.25 dB + 5% of Atten Setting in dB)	
VSWR		1.30/1	1.7/1			
Impedance		50		OHMS		
Switching Speed		27	50	nSec	50% Control Signal 90% / 10% RF	
Transition (Rise/Fall) Time		12		nSec	10% / 90% or 90% / 10% RF	
Switching (Video) Transients		75		mV	Peak Value	
Intercept Points	2nd 3rd	+67 +38	+70 +41	dBm	1950 / 750 MHz Inputs 975 / 750 MHz Inputs	
RF Power	Operate No Damage		+22	dBm	0.1 dB Compression	
Operating Temperature		0	+25	°C	TA	
Non-Operating Temperature		-34		+95	°C	TA

