

SP2T

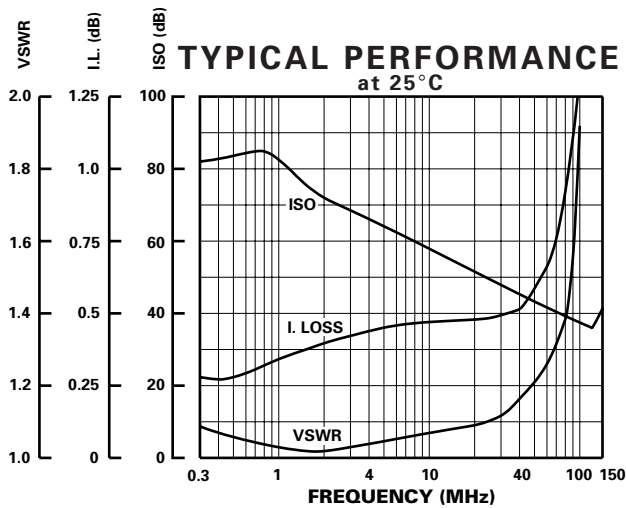
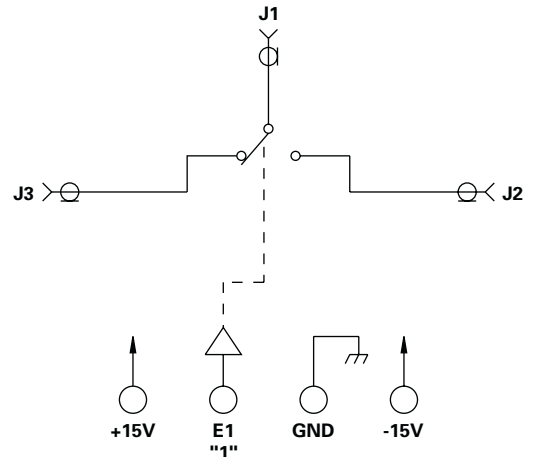
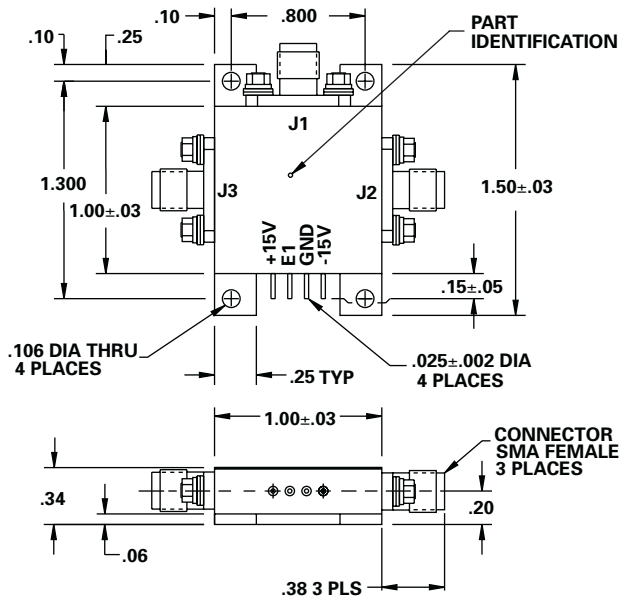
FEATURES

- 0.5 - 30 MHz
- High Intercept Points
- 0.6 dB Insertion Loss
- 6 mA, ±15 VDC
- Reflective
- TTL Control



MODEL NO. DSW26182

GaAs SP2T



Logic Table	
"0"	J1 To J2
"1"	J1 To J3

GUARANTEED PERFORMANCE

Parameter	Min	Typ	Max	Units	Conditions
Operating Frequency	0.5		30	MHz	
DC Current		6	30	mA	At +15 VDC Supply
		5	30	mA	At -15 VDC Supply
Control Type		TTL			1 Line Logic "1" = J1 to J3
Control Current	High	0		µA	V _{IH} = +2.7V
	Low	0		µA	V _{IL} = +0.5V
Insertion Loss		0.5	0.7	dB	
Isolation	35	48		dB	
VSWR	Thru	1.15/1	1.5/1		
Impedance		50		OHMS	
Switching Speed		18	100	µSEC	50% TTL to 90% / 10% RF
Transition (Rise/Fall) Time		8		µSEC	10% / 90% or 90% / 10% RF
Switching (Video) Transients		-90	-73	dBm	In 3 KHz BW at 1KHz PRF
Intercept Points	2nd	+80	+83	dBm	
	3rd	+47	+57	dBm	
RF Power	Operate		+37	dBm	1.0 dB Compression
	No Damage		+32	dBm	
Operating Temperature	0	+25	+95	°C	TA