

FEATURES

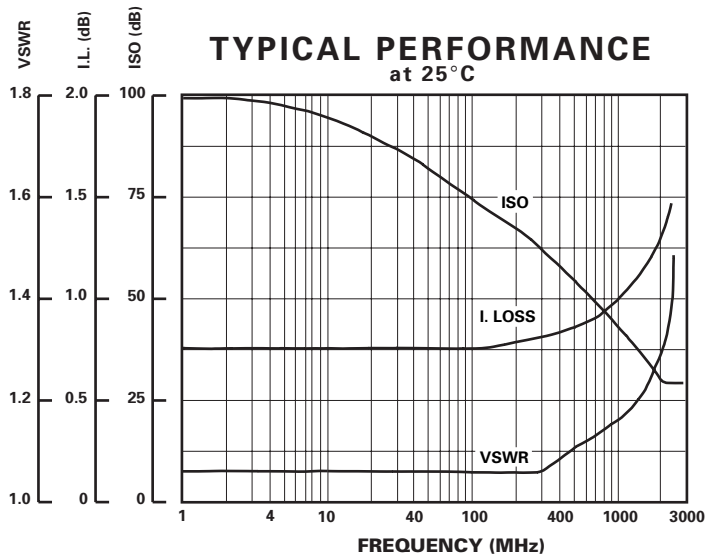
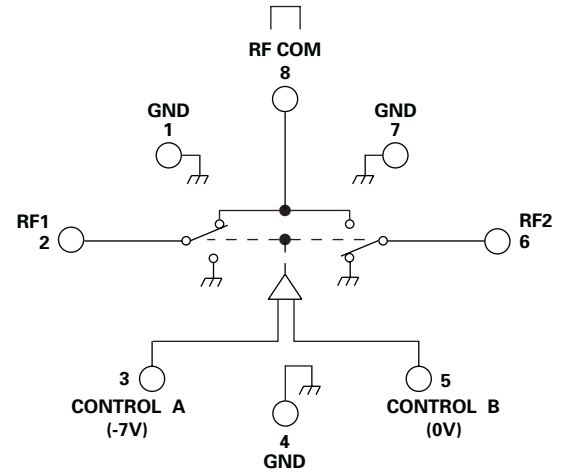
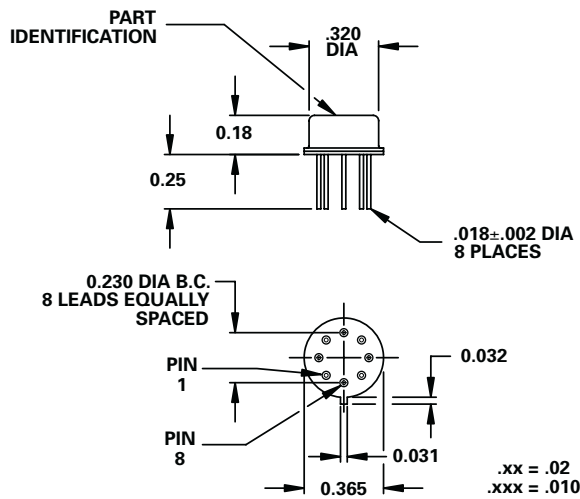
- DC - 2000 MHz
- 3 nSec Transition Time
- Ultra Small TO-5 Package
- Low Cost
- See DS0813 For Version With Integrated TTL Driver



**MODEL NO.
DS0850**

GaAs SP2T

SP2T



GUARANTEED PERFORMANCE

Parameter	Min	Typ	Max	Units	Conditions
Operating Frequency	DC		2000	MHz	
Control Type					See Logic Table
Control Current	High Low	-10 4	-200 20	μA	V _{IH} = -7V V _{IL} = +0.5V
Insertion Loss		0.4 0.6	0.7 1.0	dB	DC - 500 MHz 500 - 2000 MHz
Isolation	60 40 25	68 47 32		dB	DC - 80 MHz 80 - 500 MHz 500 - 2000 MHz
VSWR	Thru	1.1/1 1.3/1	1.5/1 1.5/1		DC - 500 MHz 500 - 2000 MHz
Impedance		50		OHMS	
Transition (Rise/Fall) Time		3		nSEC	90% / 10% or 10% / 90% RF
Switching (Video) Transients		12	50	mV	Peak Value
Intercept Points	2nd 3rd	+70 +52		dBm	70 MHz / 50 MHz 35 MHz / 50 MHz
RF Power	Operate No Damage	+17 +27	+13 +25 +30	dBm	1.0 dB Comp. 1 - 25 MHz 1.0 dB Comp. Above 25 MHz
Operating Temperature	-55	+25	+125	°C	TA

LOGIC TABLE

CONT A	CONT B	RF COM TO:
-7V	0V	RF1
0V	-7V	RF2