

SP2T

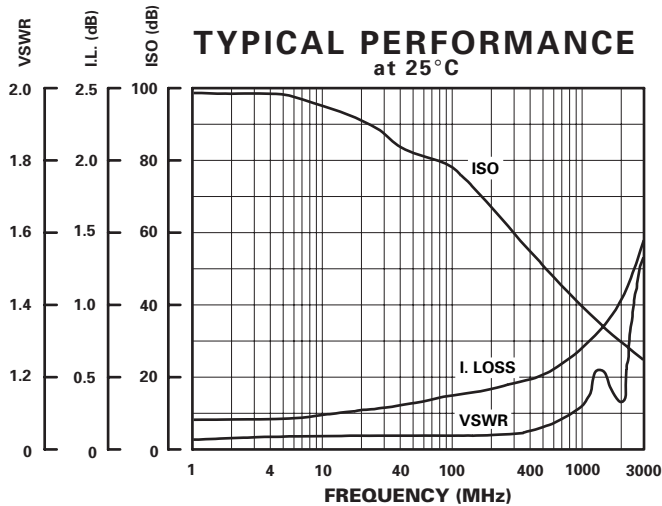
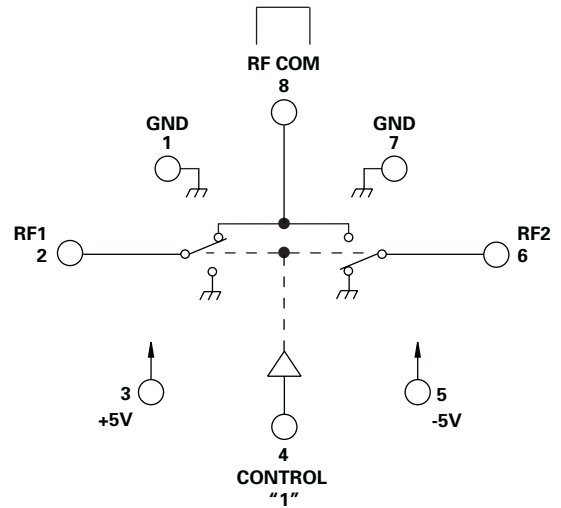
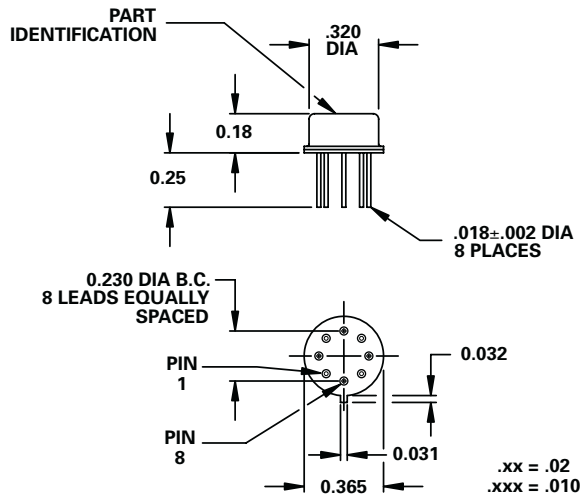
FEATURES

- DC - 2000 MHz
- 0.6 dB Insertion Loss at 1 GHz
- 35 nSec Transition Time
- Ultra Small TO-5 Package
- TTL Driver
- See DS0850 For Driverless Version, Same Package & Pin Outs
- Low Cost



MODEL NO. DS0813

GaAs SP2T



GUARANTEED PERFORMANCE

Parameter	Min	Typ	Max	Units	Conditions
Operating Frequency	DC		2000	MHz	
DC Current		2 1	4 2	mA	At +5 VDC Supply At -5 VDC Supply
Control Type		TTL			1 Line Logic "0" = Isolation Logic "1" = Thru
Control Current	High Low	1 1	±40 ±40	µA	V _{IH} = +2.7V V _{IL} = +0.5V
Insertion Loss		0.6 0.8	0.9 1.2	dB	DC - 1000 MHz 1000 - 2000 MHz
Isolation		45 35 25	51 39 29	dB	DC - 100 MHz 100 - 500 MHz 500 - 2000 MHz
VSWR		1.1/1 1.2/1	1.2/1 1.5/1		DC - 500 MHz 500 - 2000 MHz
Impedance		50		OHMS	
Switching Speed		65	150	nSEC	50% TTL to 90% / 10% RF
Transition (Rise/Fall) Time		27		nSEC	90% / 10% or 10% / 90% RF
Switching (Video) Transients		8		mV	Peak Value
Intercept Points	2nd 3rd	+85 +47		dBm	214 MHz / 127 MHz 107 MHz / 127 MHz
RF Power	Operate No Damage	+12	+10 +30	dBm	0.1 dB Compression
Operating Temperature		-55	+25 +125	°C	TA