

FEATURES

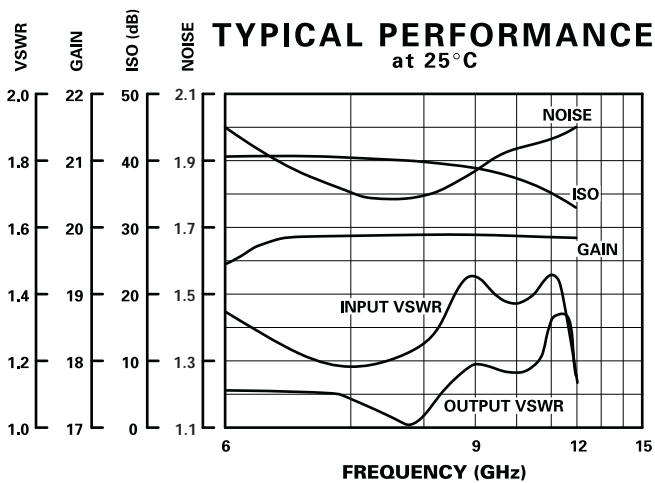
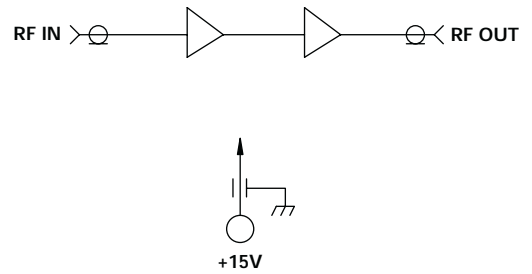
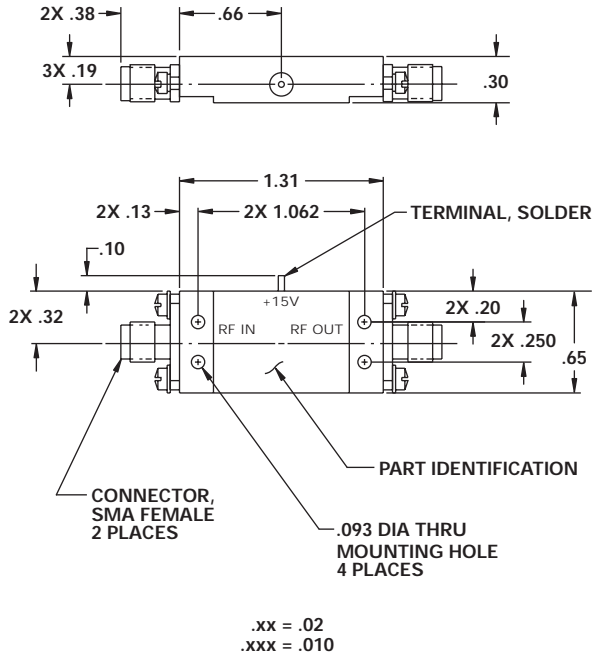
- 6 - 12 GHz
- 2.0 dB Noise Figure Max
- 18 dB Gain Minimum
- Removable SMA Connectors

LNA



**MODEL NO.
DAML6278**

Broadband LNA



GUARANTEED PERFORMANCE

| Parameter | Min | Typ | Max | Units | Conditions |
|-----------------------|--------|-------|-------|-------|-------------------|
| Operating Frequency | 6 | | 12 | GHz | |
| DC Current | | 100 | | mA | At +15 VDC Supply |
| Gain | 18.5 | 19.5 | | dB | |
| Isolation (S12) | 30 | 33 | | dB | |
| Noise Figure | | 1.9 | 2.1 | dB | |
| VSWR In /Out | | 1.5/1 | 1.8/1 | | |
| Impedance | | 50 | | Ohms | |
| Intercept Points | 2nd | 31 | | dBm | |
| | 3rd | 21 | | dBm | |
| RF Power | Output | +11 | +13 | dBm | 1dB Compression |
| | Input | +20 | | dBm | |
| Operating Temperature | -40 | +25 | +85 | °C | TA |