

FEATURES

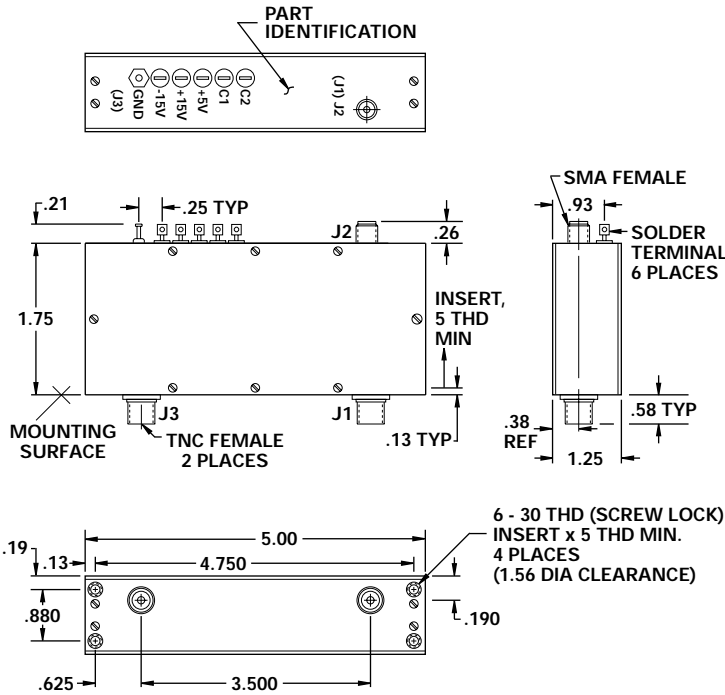
- 0.1 - 30 MHz
- 0.2 dB Amplitude Balance
- 0.5 DEG Phase Balance
- -115 dBm Switching Transients



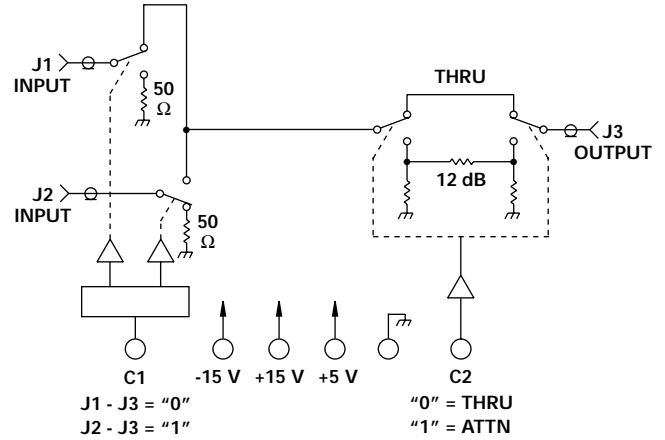
MODEL NO.
DSWA9072

Switch SP2T

HDI



.xx = .02
.xxx = .010



GUARANTEED PERFORMANCE

Parameter	Min	Typ	Max	Units	Conditions
Operating Frequency	0.1		30	MHz	
DC Current		2.2 14 2	10 30 5	mA	At +5 VDC Supply At +15 VDC Supply At -15 VDC Supply
Control Type	C1 C2	TTL			"0" = J3 - J1, "1" = J3 - J2 "0" = Thru, "1" = Attn
Control Current	High Low	±20 ±200	±40 ±400	µA	V _{IH} = +2.7 V V _{IL} = +0.5 V
Amplitude Balance		±0.15	±0.2	dB	
Phase Balance		±0.5	±1.0	DEG	
Attenuation vs. Phase		±0.5	±1.0	DEG	
Insertion Loss		0.9	1.5	dB	
Isolation		65	75	dB	
VSWR	Thru Termination	1.3/1 1.3/1	1.5/1 1.5/1		
Impedance		50		OHMS	
Switching Speed		120	300	µSec	50% TTL to 90% / 10% RF
Transition (Rise/Fall) Time				µSec	10% / 90% or 90% / 10% RF
Switching (Video) Transients		-115	-90	dBm	3 kHz Bandwidth 1 µSec On, 10 µSec Off
Intercept Points	2nd 3rd	+70 +40	+81 +45	dBm	
RF Power	Operate No Damage	+19 +24	+17 +21 +27	dBm	0.1 - 1 MHz 0.1 dB Comp. 1 - 30 MHz 0.1 dB Comp.
Operating Temperature		-55	+25	+85	°C

TYPICAL PERFORMANCE at 25°C

