

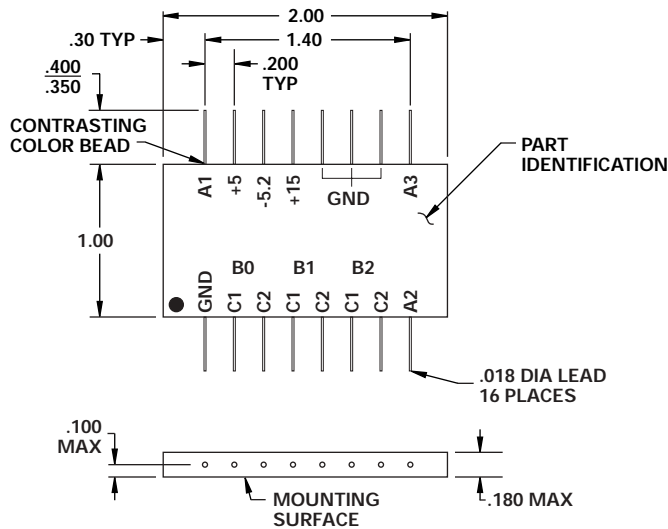
FEATURES

- 461 - 471 MHz
- 45° LSB, 315° Range
- Integrated Power Divider for REF Channel
- Integrated Amplifier for Equal Insertion Loss
- ECL Driver



MODEL NO.
DP0560

Phase Shifter, 3 Section



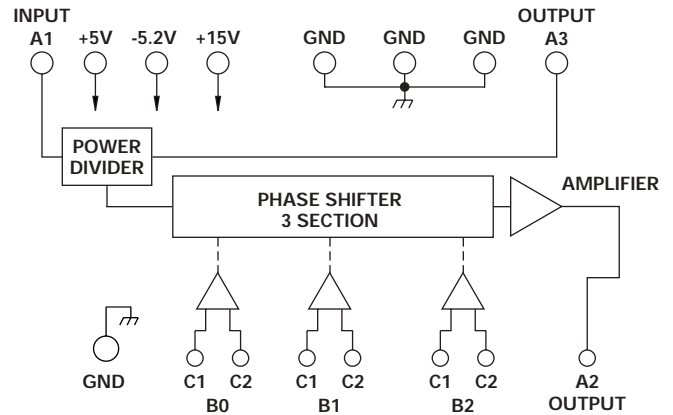
.xx = .02
.xxx = .010

LOGIC TABLE

Control Logic			Phase State	Nominal Phase Shift (DEG)
B2	B1	B0		
0	0	0	PS0	0
0	0	1	PS1	45
0	1	0	PS2	90
0	1	1	PS3	135
1	0	0	PS4	180
1	0	1	PS5	225
1	1	0	PS6	270
1	1	1	PS7	315

LOGIC "1"
C1 = -0.6V to -1.0V
C2 = -1.4V to -1.9V

LOGIC "0"
C1 = -1.4V to -1.9V
C2 = -0.6V to -1.0V



GUARANTEED PERFORMANCE

Parameter	Min	Typ	Max	Units	Conditions	
Operating Frequency	461	466	471	MHz		
DC Current		75	100	mA	At +15 VDC Supply	
		60	150	mA	At +5 VDC Supply	
		90	150	mA	At -5.2 VDC Supply	
Control Type		ECL			2 Line Differential See Logic Table	
Control Current	High Low	7.65 -7.65	8.5 -8.5	9.35 -9.35	mA mA	C1 = -0.8V, C2 = -1.65V C1 = -1.65V, C2 = -0.8V
Insertion Loss	A1 - A2 or A1 - A3 Balance Between A2 and A3	3.2	3.5 3.8 0.1 0.3	4.1 4.5 0.75 1.0	dB dB dB dB	At +25°C At Temperature Extremes At 25°C At Temperature Extremes
Isolation		20	25		dB	Between Ports A2 - A3 or A3 - A2
Phase Shift	LSB Range Accuracy	0	45	315	DEG DEG DEG DEG	45, 90, 180 DEG. J2 with Respect to J3 Minus PS0 for 180 Phase Change Any Phase State
VSWR	Input Output	1.2/1	1.2/1	1.6/1 1.6/1		
Impedance			50		OHMS	
Switching Speed		300	400		nSec	50% ECL to 90% / 10% RF
Transition (Rise/Fall) Time		40			nSec	90% / 10% or 10% / 90% RF
Switching (Video) Transients			10		mV	Peak Value
Intercept Points	2nd 3rd		N/A +37		dBm dBm	440 MHz / 453 MHz Inputs
RF Power	Operate No Damage		+20 +25	+18 +21 +23	dBm dBm dBm	0.1 dB Compression 1.0 dB Compression
Operating Temperature		-54	+25	+71	°C	TA