

FEATURES

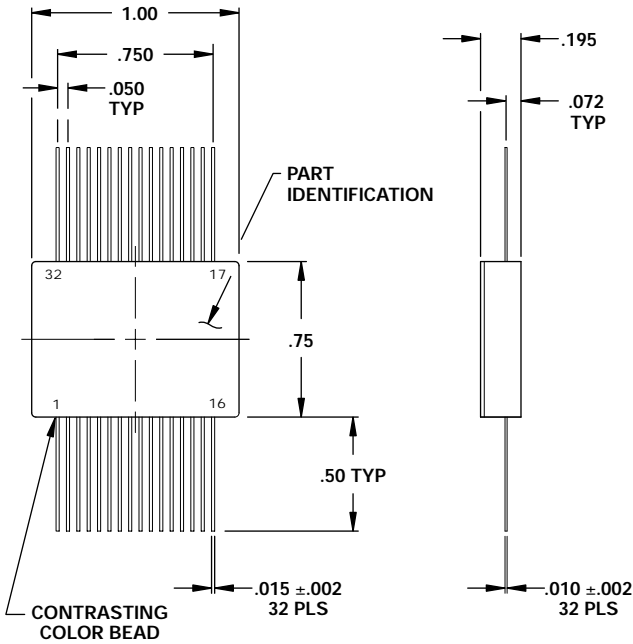
- High Density Hybrid
- 65 dB Voltage Conversion Gain
- 63 dB Attenuation in 1 dB Steps
- Attenuation, Noise Figure and Compression Adapts to Input Signal Levels

HDI

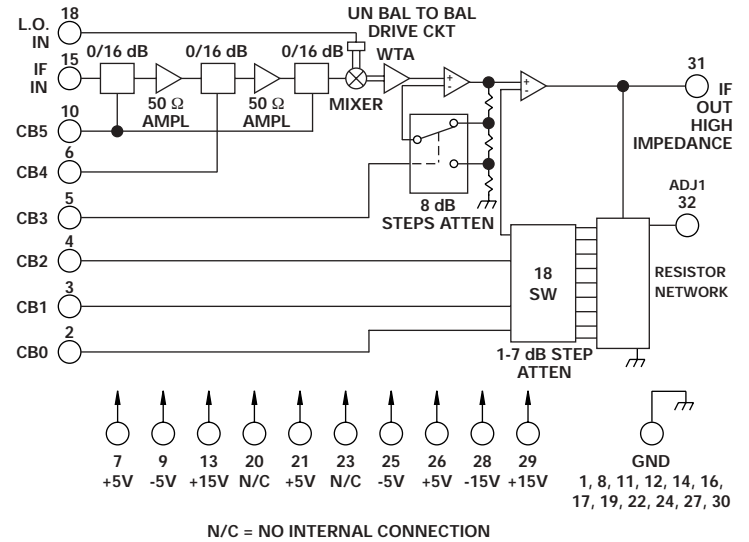


MODEL NO.
DHD08063

IF / AGC HYBRID



.xx = .02
.xxx = .010



GUARANTEED PERFORMANCE

Parameter	Min	Typ	Max	Units	Conditions	
Operating Freq.	IF Input	10	100	MHz		
	LO Input	10	100	MHz		
	IF Output	300	700	KHz		
DC Current		39	50	mA	At +5 VDC Supply	
		39	50	mA	At -5 VDC Supply	
		130	150	mA	At +15 VDC Supply	
		22	30	mA	At -15 VDC Supply	
Control Type		TTL			6 Line, See Table Logic "0" = Thru	
Control Current	High	±1	±100	µA	VIH = +2.7 V	
	Low	±1	±100	µA	VIL = +0.5 V	
Conversion Voltage Gain	63	65	66	dB		
Attenuation	LSB		1	dB	1, 2, 4, 8, 16, 32, 64 dB Bits	
	Range	0		63		
VSWR		1.2/1	2.0/1			
Impedance		50		OHMS	At Input	
		510		OHMS	At Output	
Switching Speed		1.6		µSec		
Transition (Rise/Fall) Time		1.5		µSec		
RF Power	At LO Input	-12	-10	-8	dBm	At 0 dB Attenuation At 55 dB Attenuation
	At IF Input			-35	dBm	
					+5	
Initial Noise Figure		11.3	15	dB	Single Sideband, at Minimum Attenuation	
Operating Temperature	-40	+25	+100	°C	TA	