



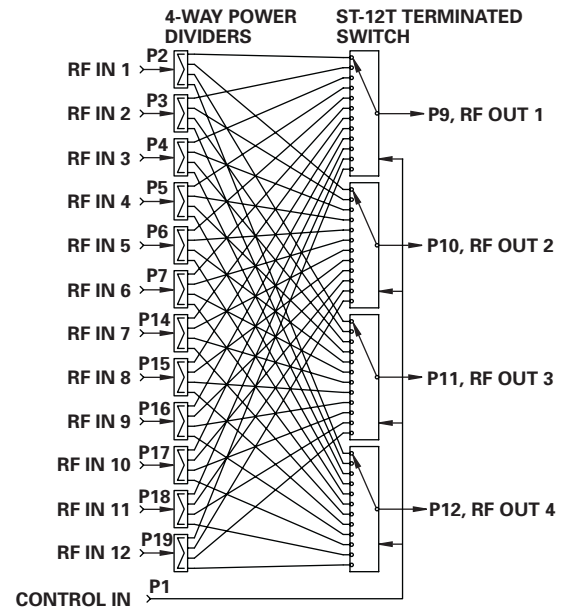
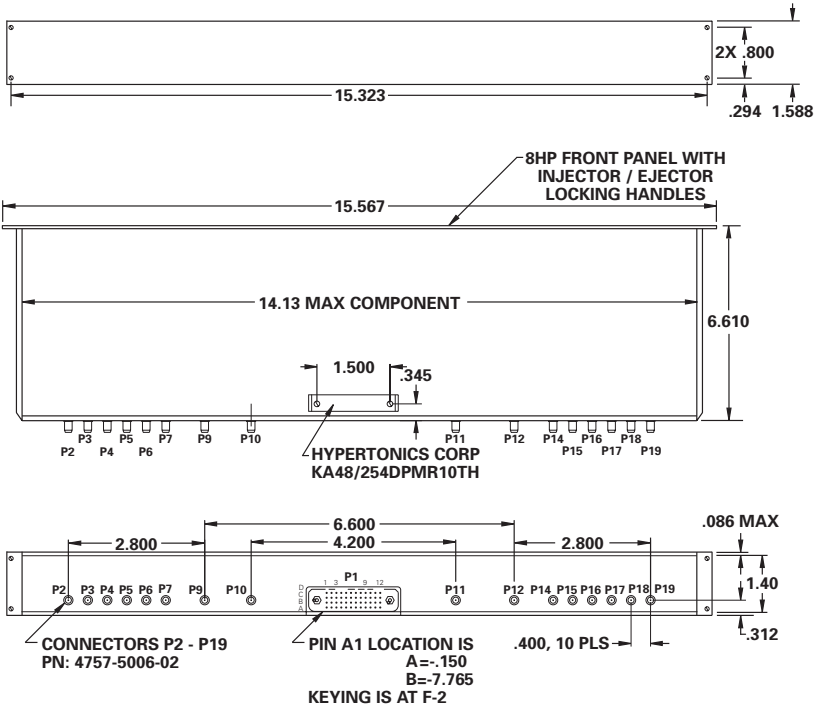
**MODEL NO.
CSWM9125**

Switch Matrix

FEATURES

- 800 - 4200 MHz
- 45 dB Isolation
- 15 dB Insertion Loss

MFD



DC CONNECTOR	FUNCTION
P1-A2	OUT1 CTL1
P1-A3	OUT1 CTL2
P1-A4	OUT1 CTL3
P1-A5	OUT1 CTL4
P1-B2	OUT2 CTL1
P1-B3	OUT2 CTL2
P1-B4	OUT2 CTL3
P1-B5	OUT2 CTL4
P1-C2	OUT3 CTL1
P1-C3	OUT3 CTL2
P1-C4	OUT3 CTL3
P1-C5	OUT3 CTL4
P1-D2	OUT4 CTL1
P1-D3	OUT4 CTL2
P1-D4	OUT4 CTL3
P1-D5	OUT4 CTL4
P1-C9	+15V
P1-C10	+15V
P1-D9	+15V RTN
P1-D10	+15V RTN
ALL OTHER PINS ARE SPARES (N/C)	

RF CONNECTOR	FUNCTION
P2	RF IN 1
P3	RF IN 2
P4	RF IN 3
P5	RF IN 4
P6	RF IN 5
P7	RF IN 6
P9	RF OUT 1
P10	RF OUT 2
P11	RF OUT 3
P12	RF OUT 4
P14	RF IN 7
P15	RF IN 8
P16	RF IN 9
P17	RF IN 10
P18	RF IN 11
P19	RF IN 12

LOGIC TABLE				
MSB	LSB			STATE, WHERE X=1,2,3 AND 4
OUTX_CTL4	OUTX_CTL3	OUTX_CTL2	OUTX_CTL1	
0	0	0	0	OUTPUT X IS ISOLATED FROM ALL INPUTS
0	0	0	1	OUTPUT X IS CONNECTED TO INPUT 1
0	0	1	0	OUTPUT X IS CONNECTED TO INPUT 2
0	0	1	1	OUTPUT X IS CONNECTED TO INPUT 3
0	1	0	0	OUTPUT X IS CONNECTED TO INPUT 4
0	1	0	1	OUTPUT X IS CONNECTED TO INPUT 5
0	1	1	0	OUTPUT X IS CONNECTED TO INPUT 6
0	1	1	1	OUTPUT X IS CONNECTED TO INPUT 7
1	0	0	0	OUTPUT X IS CONNECTED TO INPUT 8
1	0	0	1	OUTPUT X IS CONNECTED TO INPUT 9
1	0	1	0	OUTPUT X IS CONNECTED TO INPUT 10
1	0	1	1	OUTPUT X IS CONNECTED TO INPUT 11
1	1	0	0	OUTPUT X IS CONNECTED TO INPUT 12
1	1	0	1	NOT USED
1	1	1	0	NOT USED
1	1	1	1	NOT USED