

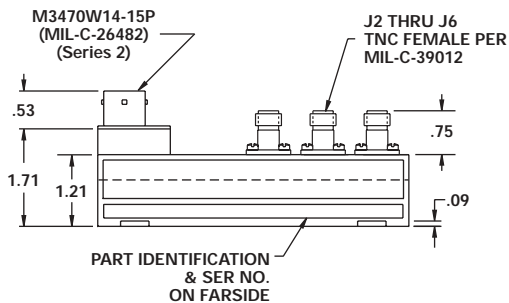
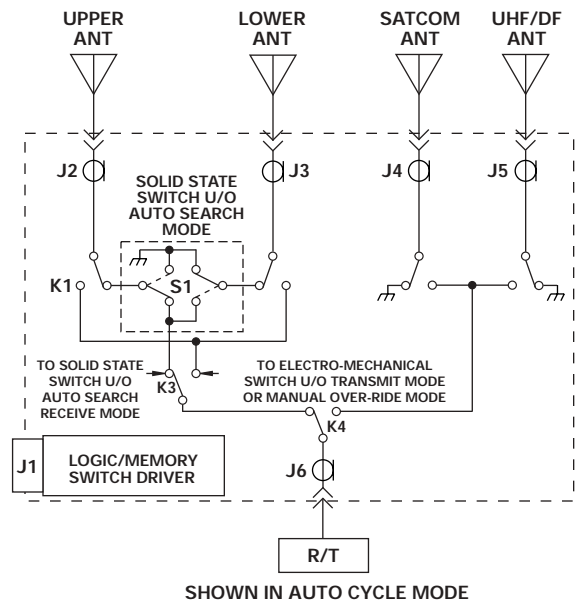
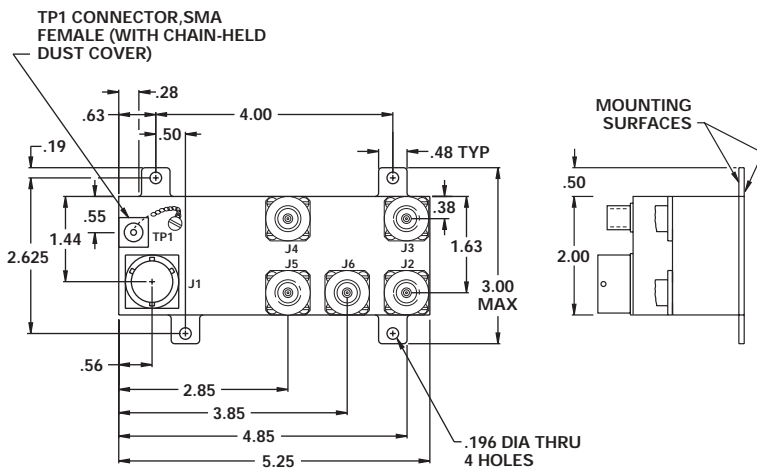
FEATURES

- Connects R/T to 4 Antennas (Upper, Lower, ADF or Satcom).
- ADF Override with Key Interlock Prevents Transmission into the ADF Port
- Failsafe Mode Connects R/T to Lower Antenna in the Event of a Power Loss
- Auto Mode Cycles Between Upper and Lower Antenna Using Solid State Relay Saver Circuitry for Reliability
- Key Function with Memory Automatically Selects the Antenna on which the Last Signal was Received
- BIT Port for Functionality Test in Aircraft. Available on Separate SMA Connector or J1 Control Connector



MODEL NO.
100D1788

4 Port Antenna Selector



.xx = .02
.xxx = .010

GUARANTEED PERFORMANCE

Parameter	Min	Typ	Max	Units	Conditions
Operating Frequency	225		400	MHz	
DC Current			150	mA	At +28 VDC Supply
Insertion Loss			0.8	dB	
Isolation	30			dB	
VSWR			1.35/1		
Impedance		50		OHMS	
Switching Speed			5	mSec	
RF Power			100	W	Average
			500	W	Peak
Operating Temperature	-54	+25	+71	°C	Intermittent @ +95°C
Weight			18.2	OZ	