

FEATURES

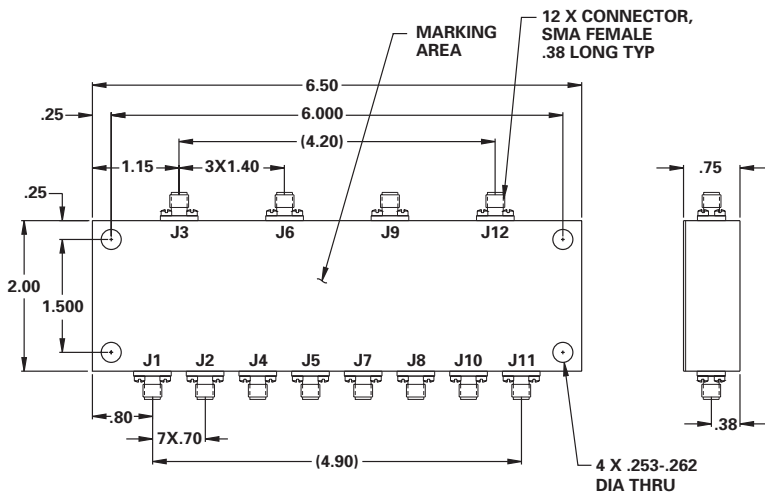
- 420 - 450 MHz
- 0.1dB Insertion Loss
- 100 dB Isolation
- SMA Connectors



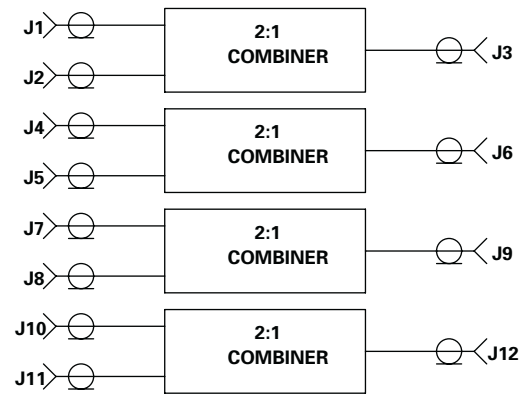
**MODEL NO.
100C9102**

Combiner

MFD



.xx = .02
.xxx = .010



GUARANTEED PERFORMANCE

| Parameter | Min | Typ | Max | Units | Conditions |
|-----------------------|----------|-----------|-------|----------|--------------------------------------|
| Operating Frequency | 420 | | 450 | MHz | |
| Insertion Loss | | 0.11 | 0.25 | dB | Excluding 3 dB |
| Isolation | 80 20 | 110 30 | | dB dB | Between Each Combiner Input Ports |
| VSWR | | 1.13/1 | 1.2/1 | | |
| Impedance | | 50 | | OHMS | |
| Operating Temperature | +15 | | +50 | °C | TA |