



**MODEL NUMBER**  
**DS0850-T**

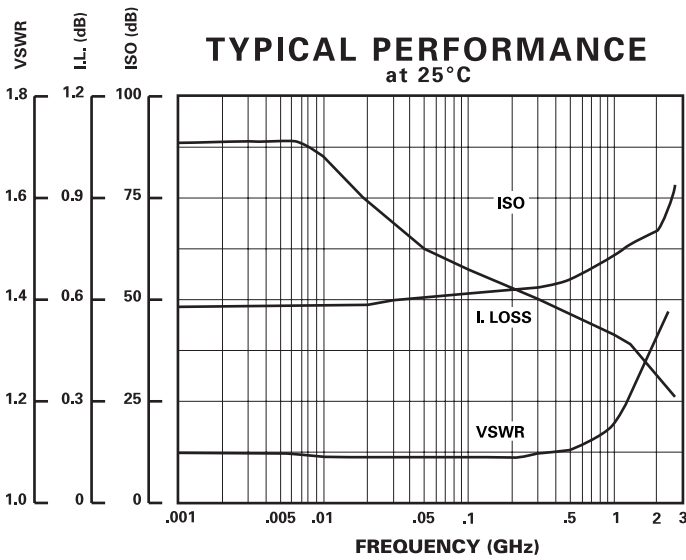
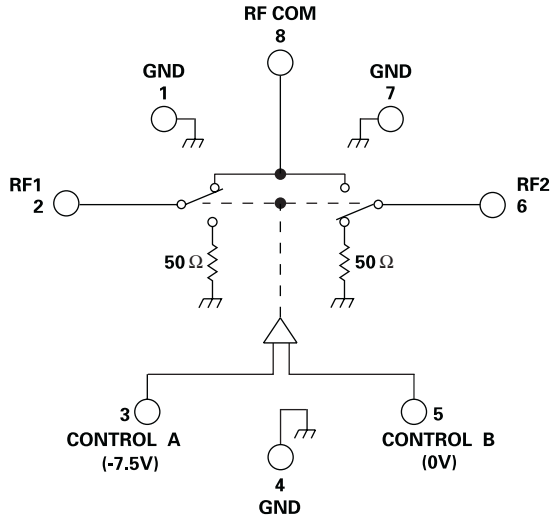
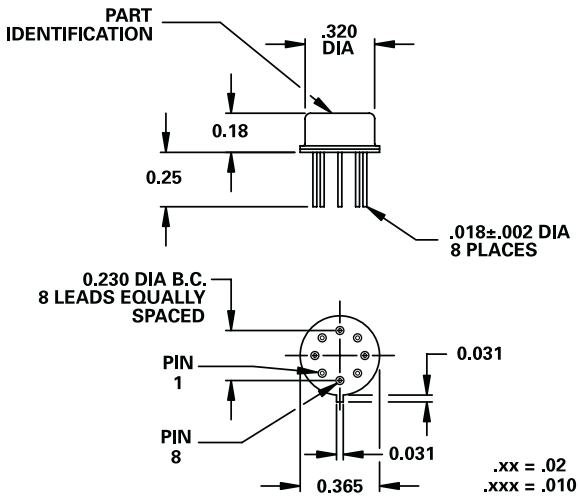
**GaAs SP2T**

**FEATURES**

- DC-2000 MHz
- 3 nSec Transition Time
- Non-Reflective
- Ultra Small TO-5 Package

- Low Cost
- See DS0813-T For Version With Integrated TTL Driver

**SP2T**



**GUARANTEED PERFORMANCE**

Parameter	Min	Typ	Max	Units	Conditions
Operating Frequency	DC		2000	MHz	
Control Type					See Logic Table
Control Current		High Low	10 4	-200 +20	μA μA VIH = -7.0V VIL = +0V
Insertion Loss			0.7 0.9	0.9 1.2	dB dB DC - 500 MHz 500 - 2000 MHz
Isolation	40 30 20	50 36 24			dB dB dB DC - 100 MHz 100 - 500 MHz 500 - 2000 MHz
VSWR		Thru Termination	1.1/1 1.5/1 1.1/1 1.5/1	1.3/1 1.7/1 1.3/1 1.7/1	DC - 500 MHz 500 - 2000 MHz DC - 500 MHz 500 - 2000 MHz
Impedance			50	OHMS	
Transition (Rise/Fall) Time			3 10	nSEC	90% / 10% or 10% / 90% RF
Switching (Video) Transients			20	mV	
Intercept Points		2nd 3rd	+68 +41	dBm dBm	70 MHz / 50 MHz 35 MHz / 50 MHz
RF Power		Operate No Damage	+22 +30	+18 dBm dBm	0.1 dB Comp. Above 100 MHz
Operating Temperature	-55	+25	+125	°C	TA

**LOGIC TABLE**

CONT A	CONT B	RF COM TO:
-7.5V	0V	RF1
0V	-7.5V	RF2