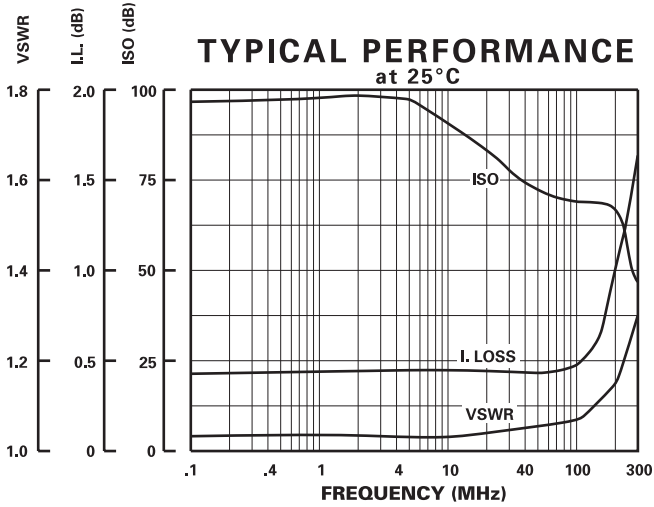
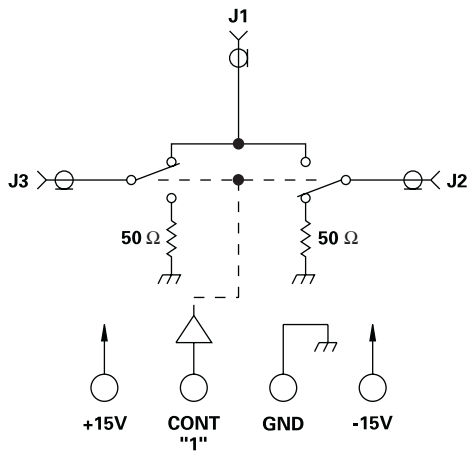
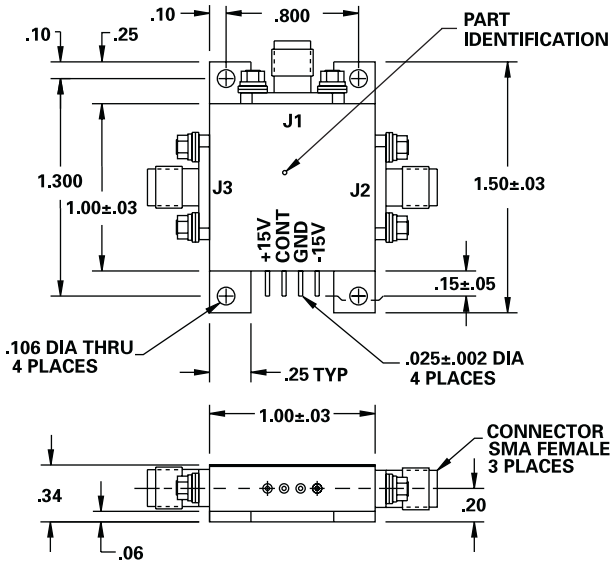


**MODEL NUMBER
DSW26189**

GaAs SP2T

- FEATURES**
- 0.1 - 150 MHz
 - High Intercept Points
 - 2.5 mA, +15 VDC
 - 60 dB Isolation

SP2T



LOGIC TABLE

"0"	J1 To J2
"1"	J1 To J3

GUARANTEED PERFORMANCE

Parameter	Min	Typ	Max	Units	Conditions
Operating Frequency	0.1		150	MHz	
DC Current		2.5	10	mA	At +15 VDC Supply
		1.5	10	mA	At -15 VDC Supply
Control Type		TTL			See Logic Chart
Control Current		High	±100	µA	VIH = +2.7V
		Low	1.0	±100	VIL = +0.5V
Insertion Loss		0.6	1.0	dB	
Isolation	60	64		dB	
VSWR		Thru	1.10/1	1.5/1	
		Termination	1.08/1	1.5/1	
Impedance		50		OHMS	
Switching Speed		0.15	5	µSEC	50% TTL to 90% / 10% RF
Transition (Rise/Fall) Time		0.02		µSEC	10% / 90% or 90% / 10% RF
Switching (Video) Transients		+81		dBm	In 3 KHz BW at 1KHz PRF
Intercept Points		2nd	+81	dBm	
		3rd	+36	dBm	
RF Power		Operate	+22	+18	1.0 dB Compression
		No Damage		+30	dBm
Operating Temperature	-55	+25	+125	°C	TA