

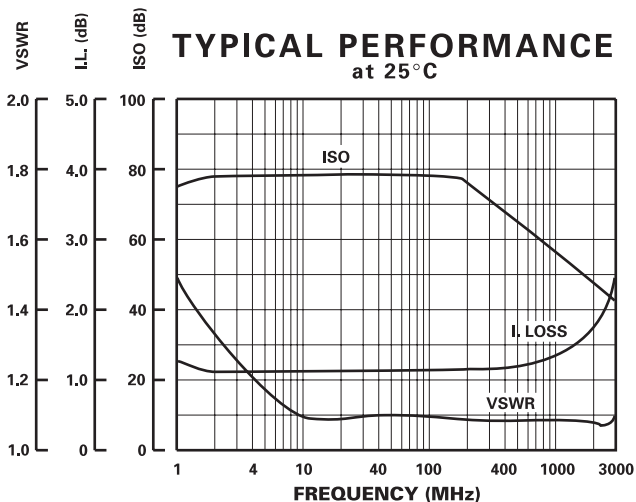
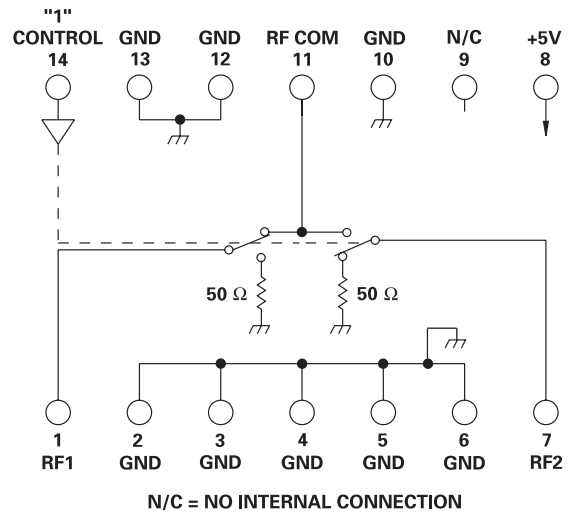
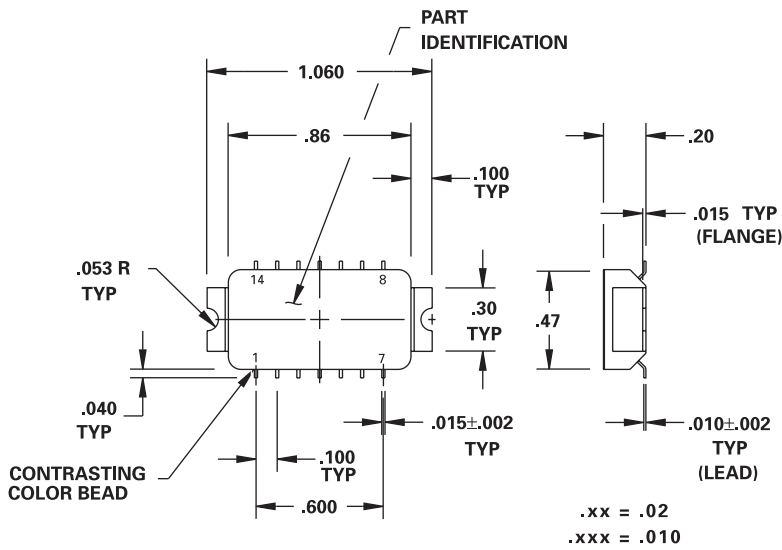
MODEL NUMBER DS0632

GaAs SP2T

FEATURES

- 5-2000 MHz
- 34 nSec Switching Speed
- TTL Driver
- Non-Reflective
- 14 Pin Surface Mount Package
- See DS0602 For 14 Pin DIP Version

SP2T



GUARANTEED PERFORMANCE

Parameter	Min	Typ	Max	Units	Conditions
Operating Frequency	5		2000	MHz	
DC Current		0.2	1	mA	At +5 VDC Supply
Control Type		TTL			Logic "1" = RF COM to RF1
Control Current	High	0	±20	μA	V _{IH} = +2.7V
	Low	0	±20	μA	V _{IL} = +0.5V
Isolation	60	78		dB	5 - 100 MHz
		49		dB	100 - 2000 MHz
Insertion Loss		1.0	1.5	dB	5 - 100 MHz
		1.5	2.0	dB	100 - 2000 MHz
VSWR	Thru	1.25/1	1.5/1		
	Termination	1.40/1	2.0/1		
Impedance		50		OHMS	
Switching Speed		34	50	nSEC	50% TTL to 90% / 10% RF
Transition (Rise/Fall) Time		10		nSEC	10% / 90% or 90% / 10% RF
Switching (Video) Transients		80		mV	
Intercept Points	2nd	+52		dBm	70 MHz / 35 MHz
	3rd	+35		dBm	35 MHz / 50 MHz
RF Power	Operate	+10	+7	dBm	0.1 dB Compression Below 100 MHz
		+18	+13	dBm	0.1 dB Compression Above 100 MHz
	No Damage		+27	dBm	
Operating Temperature	-55	+25	+125	°C	TA



DAICO Industries

310.507.3242 • FAX 310.507.5701 • www.daico.com