

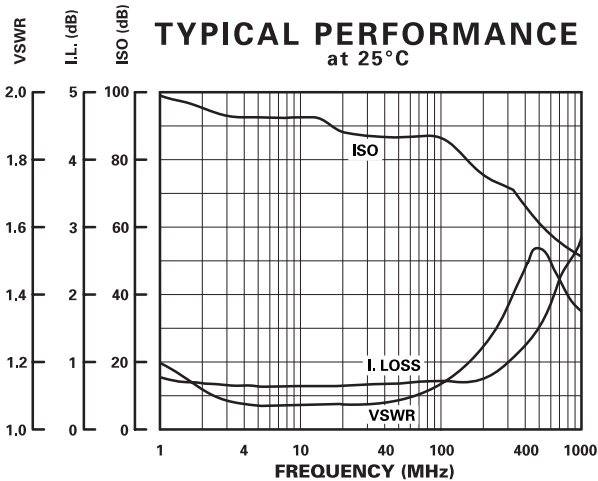
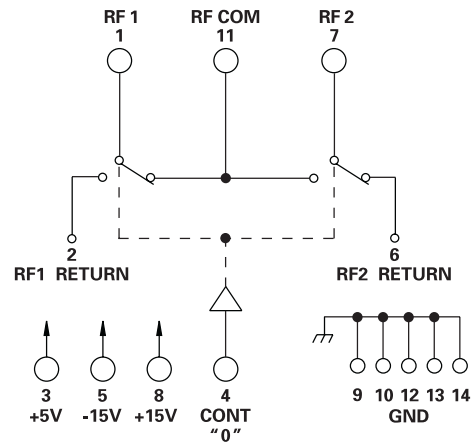
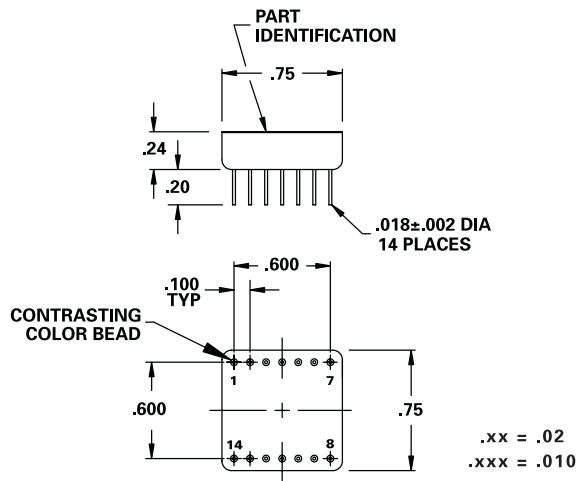
MODEL NUMBER DS0880

PIN Diode SP2T

FEATURES

- 1-250 MHz
- Very High Intercept Points
- One Watt Power Handling
- Low Insertion Loss

SP2T



| RF POWER (dBm) TABLE | | | | |
|----------------------|-------------|-----|-------------|-----|
| FREQ MHz | 0.1 dB Comp | | 1.0 dB Comp | |
| | TYP | MAX | TYP | MAX |
| 1 - 2 | +15 | | +31 | |
| 2 - 5 | +26 | | +36 | +33 |
| 5 - 10 | +35 | +33 | >+42 | |
| 10 - 250 | +40 | +33 | >+42 | |
| No Damage | | +37 | | |

GUARANTEED PERFORMANCE

| Parameter | Min | Typ | Max | Units | Conditions |
|------------------------------|---------|--------|-------|-------|--|
| Operating Frequency | 1 | | 250 | MHz | |
| DC Current | | 2 | 10 | mA | At +5 VDC Supply |
| | | 25 | 40 | mA | At +15 VDC Supply |
| | | 26 | 40 | mA | At -15 VDC Supply |
| Control Type | | TTL | | | 1 Line Logic "0" = RF COM to RF1 Logic "1" = RF COM to RF2 |
| Control Current | High | | | μA | V _{IH} = +2.7V |
| | Low | | | μA | V _{IL} = +0.5V |
| Insertion Loss | | 0.8 | 1.4 | dB | |
| Isolation | | 75 | 86 | dB | 1 - 100 MHz |
| | | 65 | 72 | dB | 100 - 250 MHz |
| VSWR | Thru | 1.15/1 | 1.3/1 | | 1 - 100 MHz |
| | | 1.3/1 | 1.5/1 | | 100 - 250 MHz |
| Impedance | | 50 | | OHMS | |
| Switching Speed | | 20 | 40 | μSEC | 50% TTL to 90% / 10% RF |
| Transition (Rise/Fall) Time | | 12 | | μSEC | 90% / 10% or 10% / 90% RF |
| Switching (Video) Transients | | 2.5 | | V | Peak Value |
| Intercept Points | 2nd | +106 | | dBm | 70 MHz / 50 MHz |
| | 3rd | +57 | | dBm | 35 MHz / 50 MHz |
| RF Power | Operate | | | | See Table |
| Operating Temperature | -55 | +25 | +125 | °C | TA |



DAICO Industries

310.507.3242 • FAX 310.507.5701 • www.daico.com