

MODEL NUMBER DSW16282

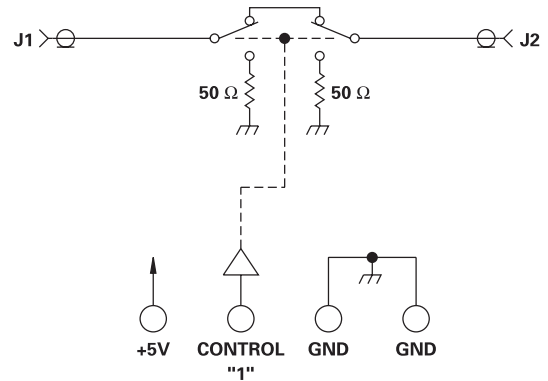
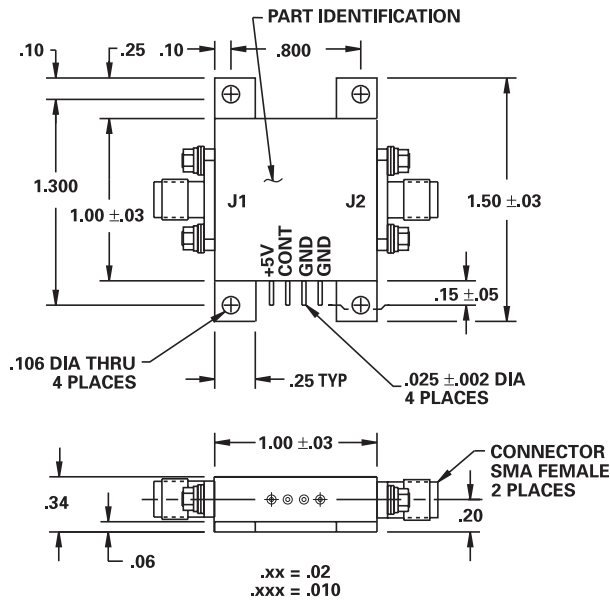
Switch SPST

FEATURES

- 750-1250 MHz
- SMA Connectorized
- Ultra High Isolation, 107 dB Typical
- High Intercept Performance

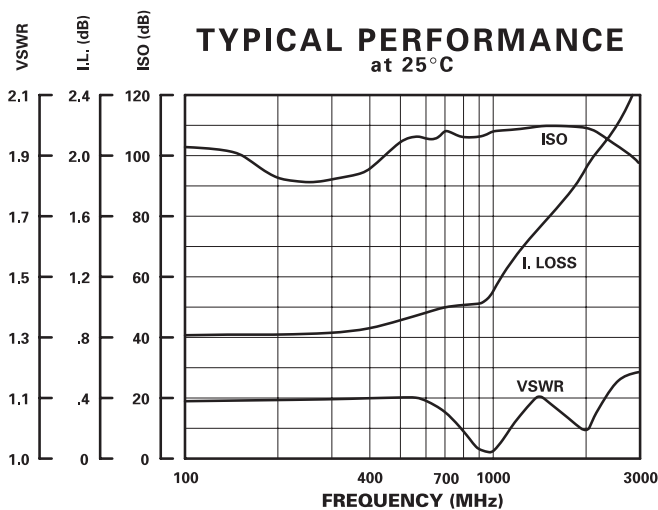
• 6.4 mA @ +5 VDC

SPST



GUARANTEED PERFORMANCE

Parameter	Min	Typ	Max	Units	Conditions
Operating Frequency	750		1250	MHz	
DC Current		6.4	12	mA	At +5 VDC Supply
Control Type		TTL			Logic "1" = Thru
Control Current		High Low	0 0	±10 ±10 μA	V _{IH} = +2.7 V V _{IL} = +0.5 V
Insertion Loss		1.2	1.5	dB	750 - 1000 MHz
		1.3	2.0	dB	1000 - 1250 MHz
Isolation	80	107		dB	
VSWR		Thru Termination	1.12/1 1.08/1	1.3/1 1.5/1	
Impedance			50	OHMS	
Switching Speed		.2	3.0	μSec	50% TTL - 90% / 10% RF
Transition (Rise/Fall) Time		.015		μSec	10%/90% or 90%/10% RF
Switching (Video) Transients		40.0		mV	Peak Value
Intercept Points		2nd 3rd	+70 +50	dBm	750 / 350 MHz 375 / 350 MHz
RF Power		Operate No Damage	+24 +27	dBm	0.1 dB Compression At 750 MHz
Operating Temperature	-20	+25	+50	°C	TA



DAICO Industries

310.507.3242 • FAX 310.507.5701 • www.daico.com