

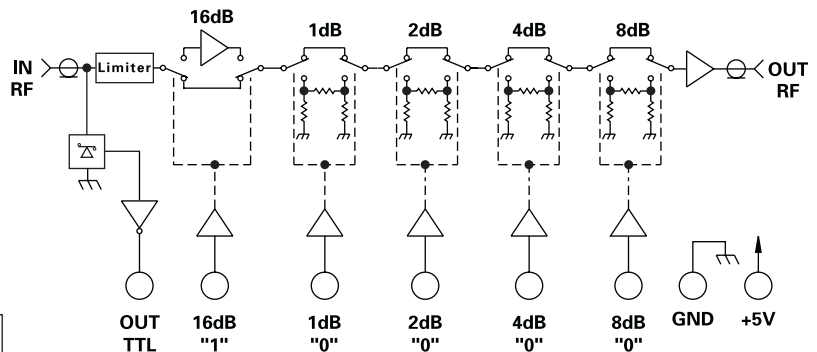
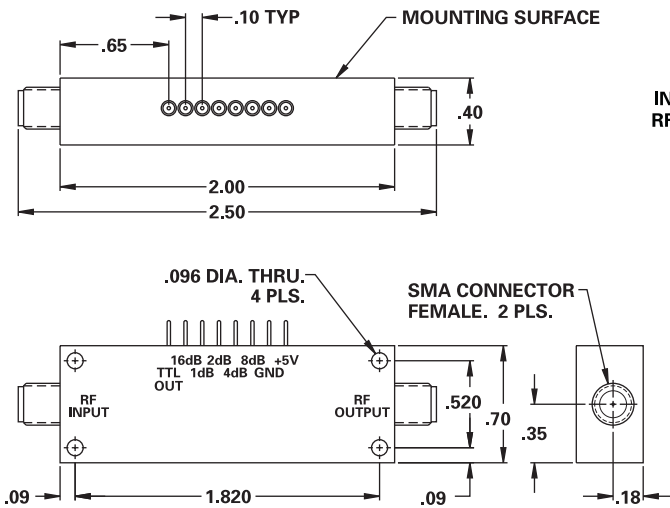
MODEL NUMBER DAML6273

Variable Gain Low Noise Amplifier

FEATURES

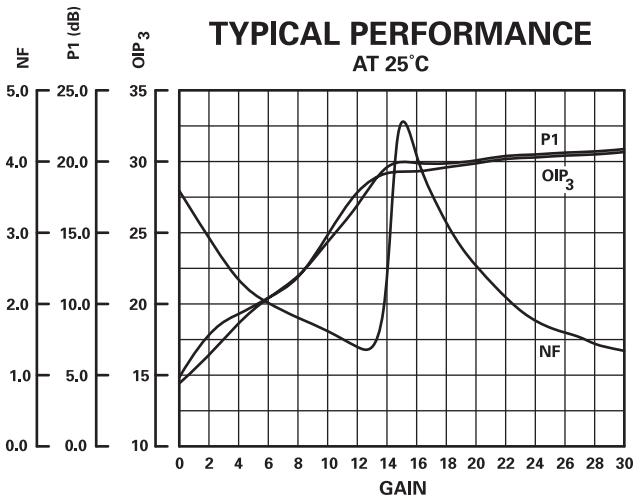
- 60-700 MHz
- Gain 29 dB
- 2 dB Noise Figure
- Attenuation Range 31 dB
- LSB 1 dB
- Limiter Included
- Detected Output Port

AMP



GUARANTEED PERFORMANCE

Parameter	Min	Typ	Max	Units	Conditions	
Operating Frequency	60		700	MHz		
DC Current			250	mA	At +5 VDC Supply	
Control Logic				MHz	5 Line TTL, "0" = Thru "1" = Atten	
Control Current			±10	µA	30 dB Gain	
Gain	29.25	29.75	30.25	dB	60 MHz	
	29.75	30	30.25	dB	200 MHz	
	29.25	27.75	30.25	dB	700 MHz	
Noise Figure		1.8	2	dB	60 MHz	
		1.52	1.7	dB	200 MHz	
		1.62	1.8	dB	700 MHz	
Impedance		50		OHMS		
Intercept Points	OIP ₃	+30	+31		dBm	Except 16 and 17 dB Gain
		+28	+29		dBm	At 16 and 17 dB Gain
Compression	P _{1dB}	+19	+20		dBm	Except 16 and 17 dB Gain
		+17	+18		dBm	At 16 and 17 dB Gain
VSWR			1.3/1 2/1		16 to 32 dB Gain -1 to 15 dB Gain	
Attenuation	Range Steps Accuracy	0		31	dB	1, 2, 4, 8, 16 dB
					dB	±(.3 dB +2% of Atten)
					dB	
Phase Vs. Atten			±10	Deg		
Phase Matching			±10	Deg	Unit to Unit in Sets of 2	
Amplitude Matching			±1	dB	Unit to Unit in Sets of 2 With same Atten Setting	
Operating Temperature	-45		+85	°C	TA	



DAICO Industries

310.507.3242 • FAX 310.507.5701 • www.daico.com