



MODEL NUMBER CAMD9224

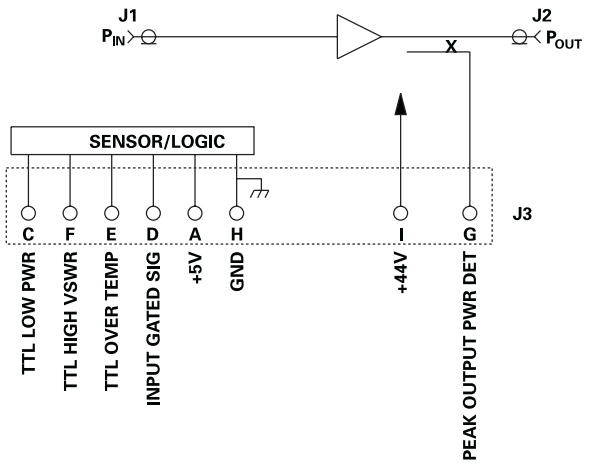
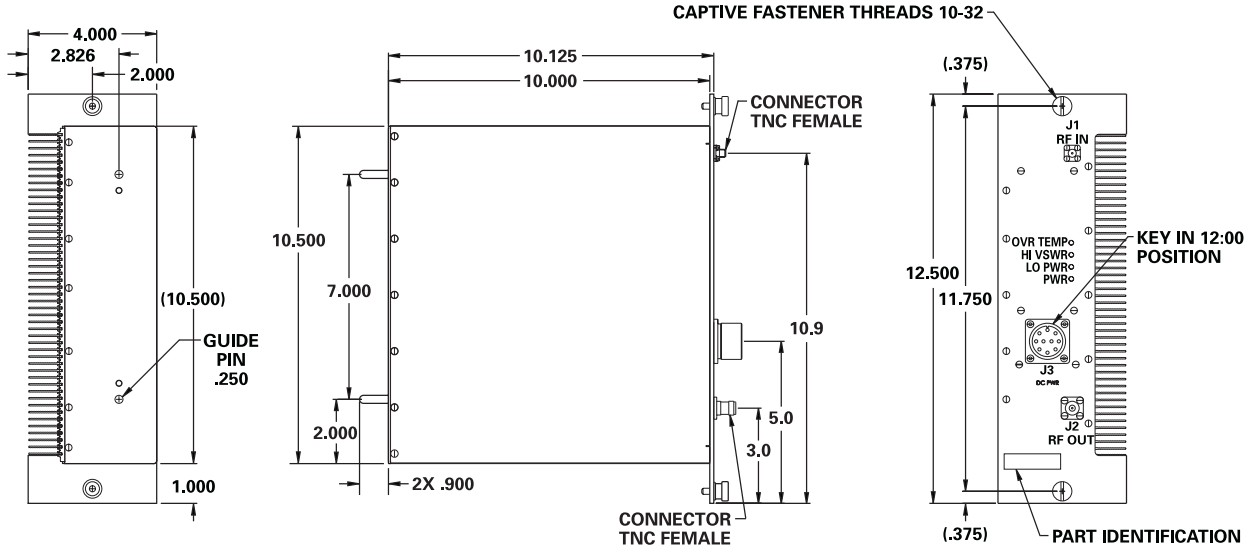
L-Band High Power Amplifier

FEATURES

- 1215-1400 MHz
- 11.5 dB Gain Typ.
- Status Indicators
- Amplifier Tracking ± 0.9
- Phase Tracking ± 13

• Fully Protected VSWR $\infty:1$

AMP



DRIVER / HPA PWR CONN PINOUTS
P/N AMP 97 3102A-20-16P

A	+5V
B	N/C
C	LOW POWER
D	LATCH
E	OVER TEMP
F	HI VSWR
G	PEAK OUTPUT PWR DET
H	GROUND
I	+40V

MATING PLUG CONNECTOR:
P/N AMP 97-3106A-20-16S (621)

GUARANTEED PERFORMANCE

Parameter	Min	Typ	Max	Units	Conditions
Operating Frequency	1215		1400	MHz	
Gain	12	12.5		dB	
Peak Power Output	61.5	62	62.5	dBm	PRF +304 Hz PW = 320 μ Sec
RF Power In	Operate: 49.5 No Damage: 51.5			dBm	
VSWR	In: 1.4 Out: 1.35	1.4	1.5/1		
Amplitude Tracking		± 0.6	± 0.9	dB	
Phase Tracking		± 10	± 13	Deg	
Harmonics	II: 30 III: 35	35	38	dBc	
Impedance		50		OHMS	
Transition (Rise/Fall) Time	TBD			nSec	Pulse Shaping
DC Current		15 0.2	16.0 1.0	Amp	At +40 VDC At +5 VDC
Operating Temperature	-20	+25	+55	$^{\circ}$ C	TA Cooling Required: 50 CFM/Amplifier Supplied by Customer