

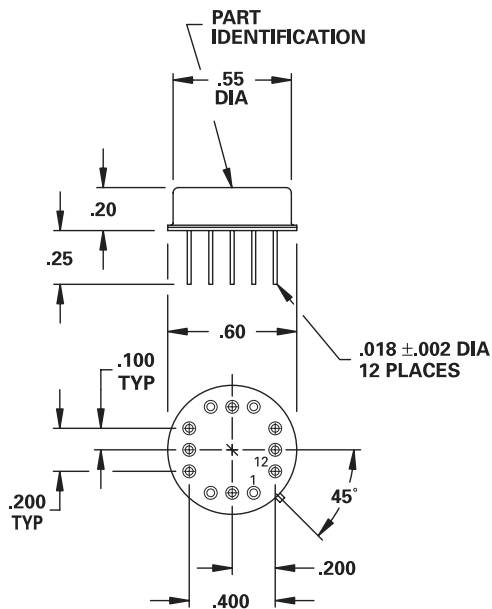
MODEL NUMBER DTD01960

Threshold Detector

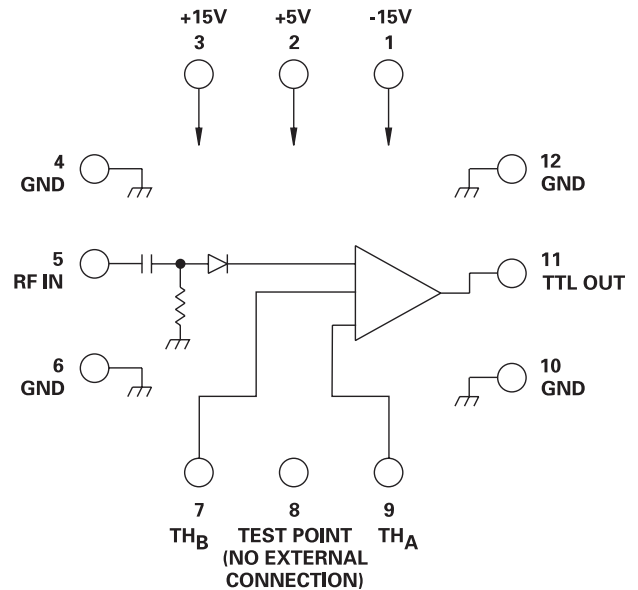
FEATURES

- 500-4000 MHz
- -30 to -10 dBm Dynamic Range
- Adjustable Threshold Level
- 0.6 dB Hysteresis
- 1 mA Sink/Source Current
- Stable Over Temperature

TD



.xx = .02
.xxx = .010



GUARANTEED PERFORMANCE

Parameter	Min	Typ	Max	Units	Conditions
Operating Frequency	500		4000	MHz	
Dynamic Range	-30		-10	dBm	VIA an External Resistor Control
Hysteresis		0.5	1.2	dB	
Temperature Stability		±1.4	±1.5	dB	
Input Flatness		±0.20	±1.0	dB	
Response Time		3	10	µSec	3 dB Above CW Threshold At RF In to 90% / 10% or 10% / 90% at TTL Out
Input VSWR		1.23/1	2/1		
Output Current:					
Source	1	4.8		mA	V _{OH} = +2.7V
Sink	1	-5.36		mA	V _{OL} = +0.5V
DC Current		10	15	mA	At +5 VDC
		8.9	15	mA	At +15 VDC
		6.7	15	mA	At -15 VDC
Operating Temperature	0	+25	+50	°C	T _A