

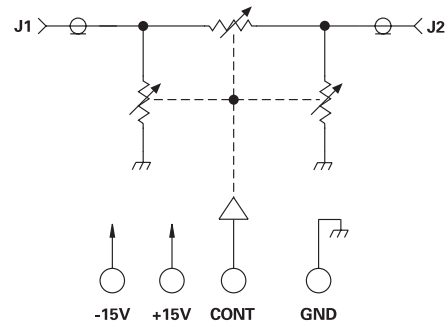
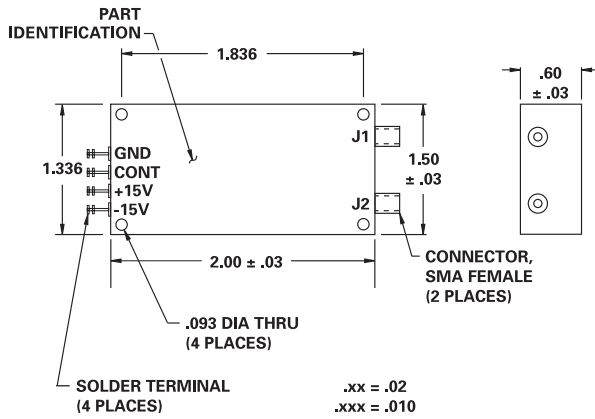
MODEL NUMBER 100C1575

Phase Compensated Linear PIN Diode VCA

FEATURES

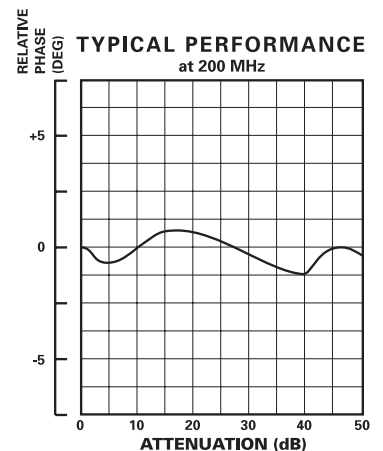
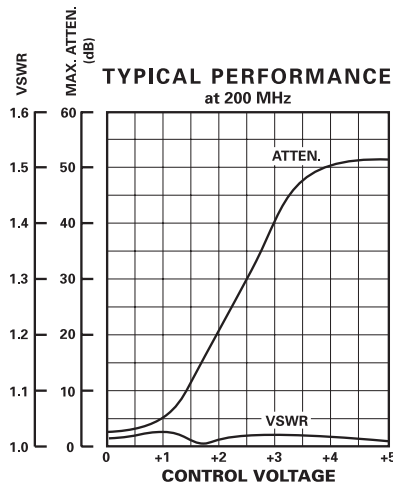
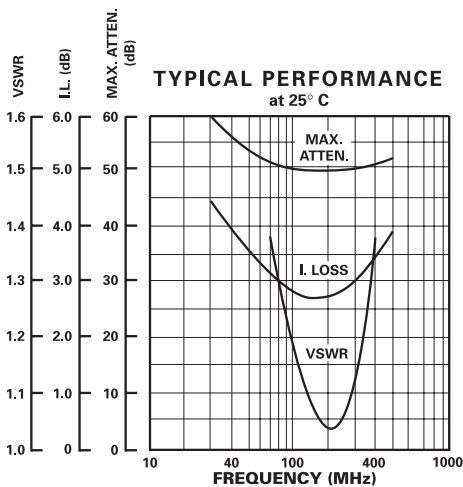
- 150-250 MHz
- 48 dB Linear Range
- Constant Phase vs. Attenuation
- SMA Connectors

VCA



GUARANTEED PERFORMANCE

Parameter	Min	Typ	Max	Units	Conditions
Operating Frequency	150		250	MHz	
DC Current		40	70	mA	At +15 VDC Supply
		40	70	mA	At -15 VDC Supply
Control Current				mA	0 V = I.L. +5 V = Max. Atten.
Insertion Loss		3	4	dB	
Attenuation	Range	40	48	dB	Best Straight Line Fit From IL +2 dB to 40 dB
	Slope	12	15	dB/V	
	Linearity			±2 dB	
Phase Stability			10	DEG	Over Specified Range
VSWR		1.1/1	1.25/1		
Impedance		50		OHMS	
Slew Rate		6		dB/μs	
RF Power	Operate		+15	dBm	
	No Damage		+20	dBm	
Operating Temperature	-55	+25	+85	°C	TA



DAICO Industries

310.507.3242 • FAX 310.507.5701 • www.daico.com