

MODEL NUMBER 100C1521

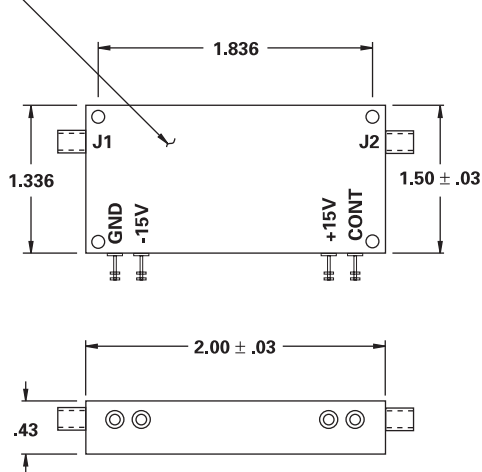
PIN Diode Linear VCA

FEATURES

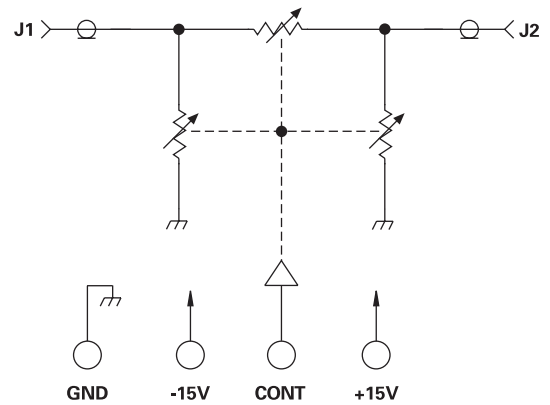
- 50-1300 MHz
- 40 dB Linear Range
- 1.3 dB Insertion Loss
- ± 2 dB Linearity
- SMA Connectors
- See DA0243 For Flatpack Version

VCA

PART IDENTIFICATION

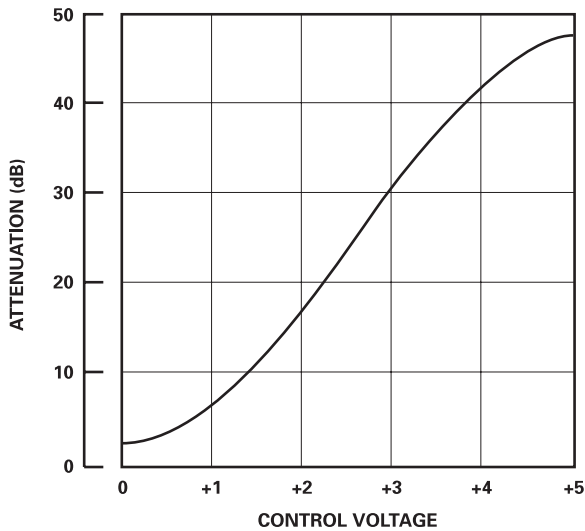


.xx = .02
.xxx = .010



TYPICAL PERFORMANCE

Attenuation vs Control Voltage
at 500 MHz



GUARANTEED PERFORMANCE

Parameter	Min	Typ	Max	Units	Conditions
Operating Frequency	50		1300	MHz	
DC Current		60 80		mA mA	At +15 VDC Supply At -15 VDC Supply
Control Current			1.0	mA	0 V = I.L. +5 V = Max. Atten.
Insertion Loss		1.3	2.0	dB	50 - 500 MHz
		1.4	3.0	dB	500 - 1100 MHz
		2.0	3.5	dB	1100 - 1300 MHz
Attenuation	Range	40		dB	50 - 500 MHz
		30		dB	500 - 1100 MHz
		25		dB	1100 - 1300 MHz
	Slope Linearity	13 \pm 3 \pm 2		dB/V dB	Best Straight Line Fit From: IL +2 dB to: 50 - 500 MHz 500 - 1100 MHz 1100 - 1300 MHz
VSWR			1.25/1 1.50/1		50 - 500 MHz 500 - 1300 MHz
Impedance		50		OHMS	
Slew Rate		3		dB/ μ s	
Intercept Points	2nd	+80		dBm	
	3rd	+35		dBm	
RF Power			+10	dBm	
Operating Temperature	-55	+25	+85	$^{\circ}$ C	TA