

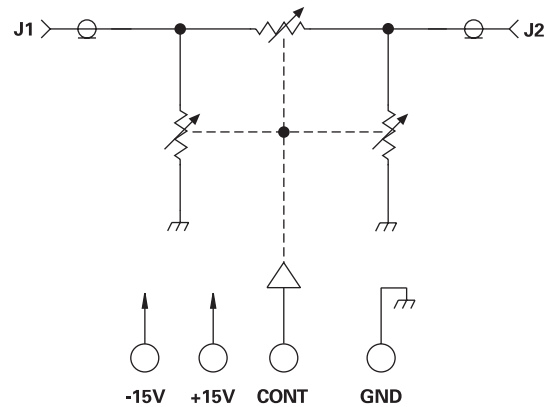
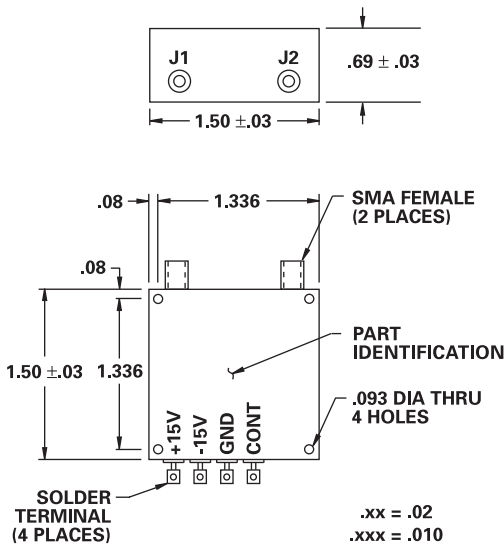
MODEL NUMBER 100C0911

PIN Diode Linear VCA

FEATURES

- 20-300 MHz
- 20 dB Linear Range
- ± 0.8 dB Linearity
- +44 dBm IP3
- 0.8 dB Insertion Loss
- SMA Connectors
- See DA0035 For DIP Version

VCA



GUARANTEED PERFORMANCE

Parameter	Min	Typ	Max	Units	Conditions
Operating Frequency	20		300	MHz	
DC Current		25	25	mA	At +15 VDC Supply At -15 VDC Supply
Control Current (10k ohm input impedance)			1.0	mA	0 V = Insertion Loss +5 V = Max. Atten.
Insertion Loss		0.8	1.5	dB	At 0 V
Attenuation	18	6.5	8	dB	Best Straight Line Fit From IL +1.5 dB to 18 dB At 35°C
Range				dB	
Slope	5			dB/V	
Linearity		± 1		dB	
VS Temperature		± 0.5		dB	
VSWR		1.1/1	1.25/1		
Impedance		50		OHMS	
Slew Rate		6		dB/ μ s	
RF Power			+10	dBm	
			+20	dBm	
Operating Temperature	0	+25	+60	°C	TA

TYPICAL PERFORMANCE Attenuation vs Control Voltage at 25°C

