

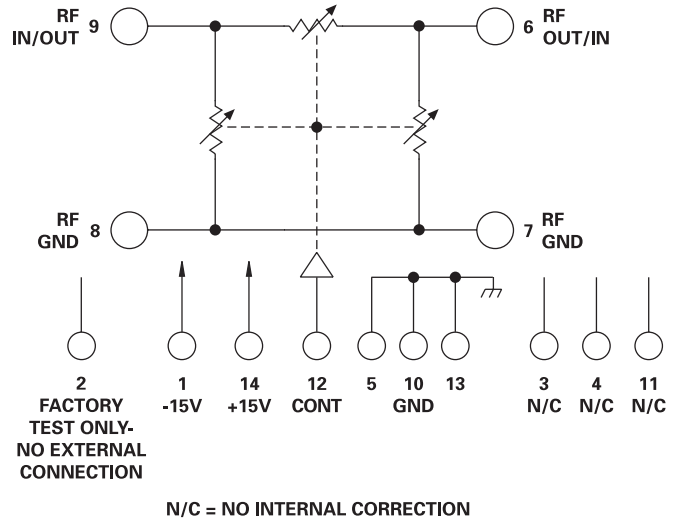
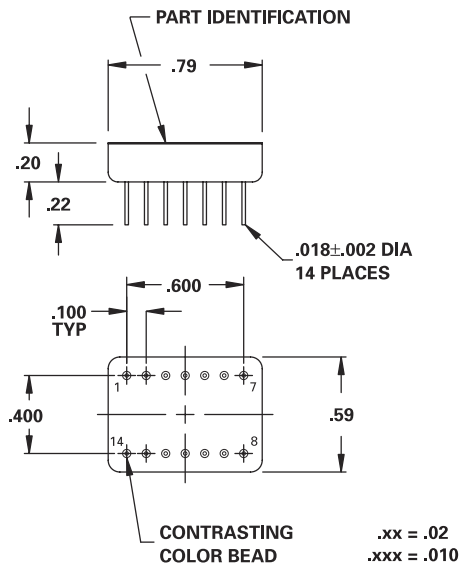
MODEL NUMBER DA0098

PIN Diode Linear VCA

FEATURES

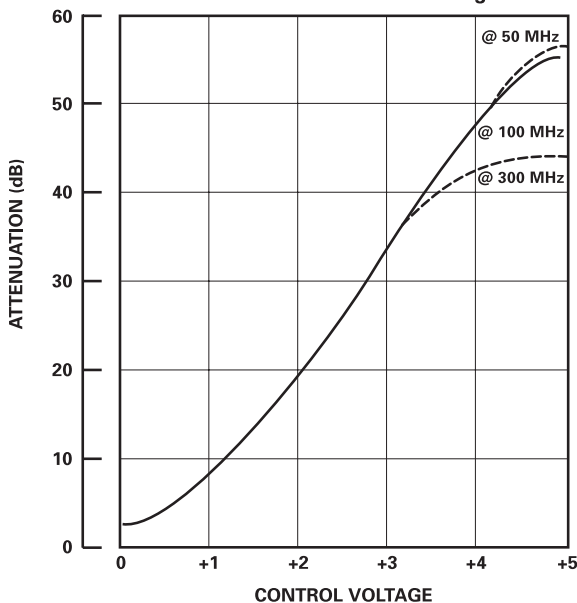
- 20-300 MHz
- 40 dB Linear Range Typical
- ± 2 dB Linearity
- 2 dB Insertion Loss
- 14 Pin DIP
- See DA0998 For Flat Pack Version
- See 100C0912 For Connectorized Version

VCA



GUARANTEED PERFORMANCE

TYPICAL PERFORMANCE Attenuation vs Control Voltage



Parameter	Min	Typ	Max	Units	Conditions
Operating Frequency	20		300	MHz	
DC Current		42	65	mA	At +15 VDC Supply
(10k ohm Input Impedance)		80	110	mA	At -15 VDC Supply
Control Current			0.5	mA	0 V = Insertion Loss +5 V = Max. Atten.
Insertion Loss		1.3	2.0	dB	At 0 V Control
Attenuation		40	50	dB	At 100 MHz
Range					
Slope		15 \pm 3		dB/V	
Linearity		± 2		dB	Best Straight Line Fit From IL +2 dB to 40 dB
VSWR			1.4/1		
Impedance		50		OHMS	
Slew Rate		6		dB/ μ s	
RF Power			+10	dBm	Operate
No Damage			+20	dBm	
Operating Temperature	-55	+25	+85	$^{\circ}$ C	TA