

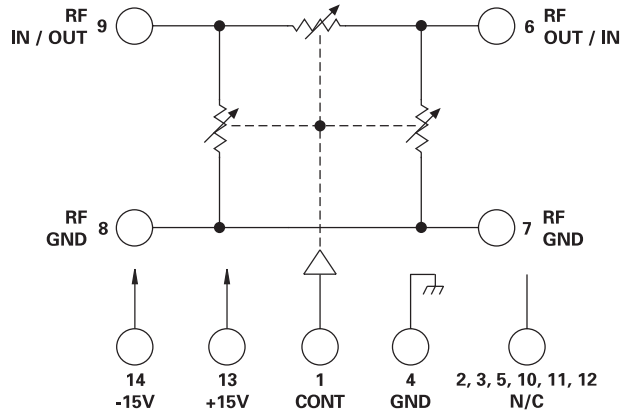
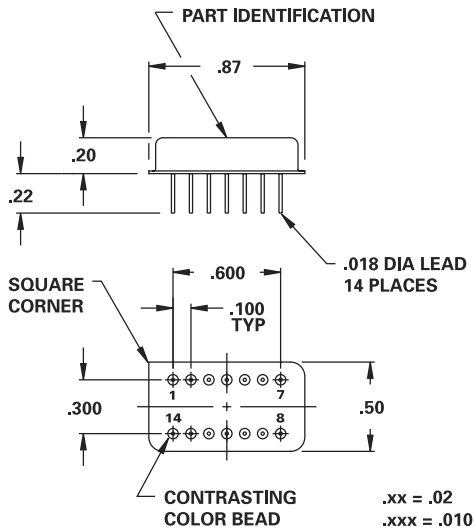
MODEL NUMBER DA0035

PIN Diode Linear VCA

FEATURES

- 20-300 MHz
- 20 dB Linear Range Typical
- ± 0.8 dB Linearity
- +44 dBm 3rd Order Intercept
- 0.8 dB Insertion Loss
- 14 Pin DIP
- See 100C0911 For Connectorized Version

VCA



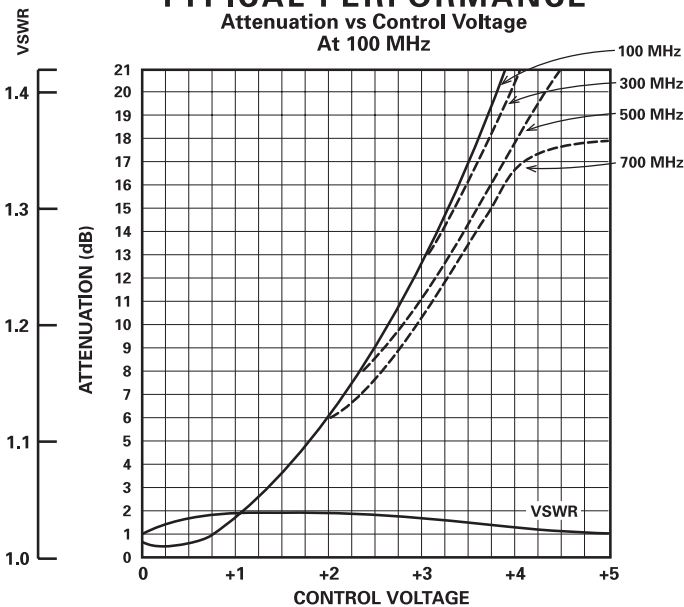
N/C = NO INTERNAL CORRECTION

GUARANTEED PERFORMANCE

| Parameter | Min | Typ | Max | Units | Conditions |
|-----------------------|-----------|------|---------------|--------------|--|
| Operating Frequency | 20 | | 300 | MHz | |
| DC Current | | 25 | 25 | mA | At +15 VDC Supply At -15 VDC Supply |
| Control Current | | | 1 | mA | 0 V to +5 V Control |
| Insertion Loss | | 0.8 | 1.5 | dB | |
| Attenuation | Range | 18 | 20 | dB | Best Straight Line Fit From IL +1.5 dB to 18 dB |
| | Slope | | 6.5 \pm 1.5 | dB/V | |
| | Linearity | | ± 0.8 | dB | |
| VSWR | | 1.15 | 1.25/1 | | |
| Impedance | | 50 | | OHMS | |
| Slew Rate | | 6 | | dB/ μ s | |
| Intercept Points | 2nd | | +77 | dBm | |
| | 3rd | | +44 | dBm | |
| RF Power | Operate | | +10 | dBm | |
| | No Damage | | +20 | dBm | |
| Operating Temperature | 0 | +25 | +60 | $^{\circ}$ C | TA |

TYPICAL PERFORMANCE

Attenuation vs Control Voltage
At 100 MHz



DAICO Industries

310.507.3242 • FAX 310.507.5701 • www.daico.com