

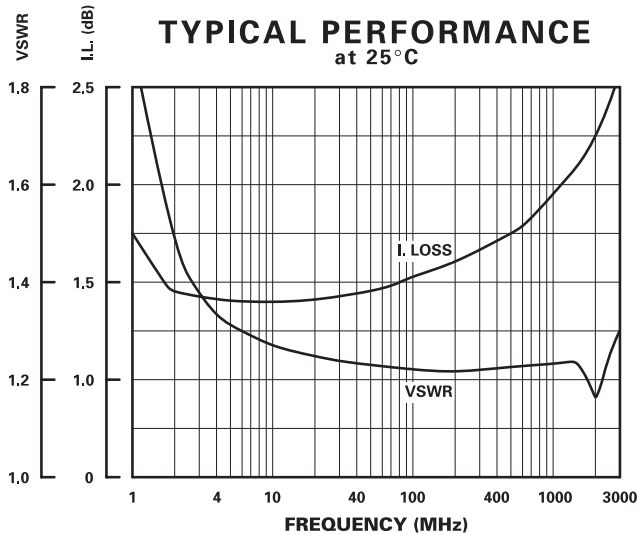
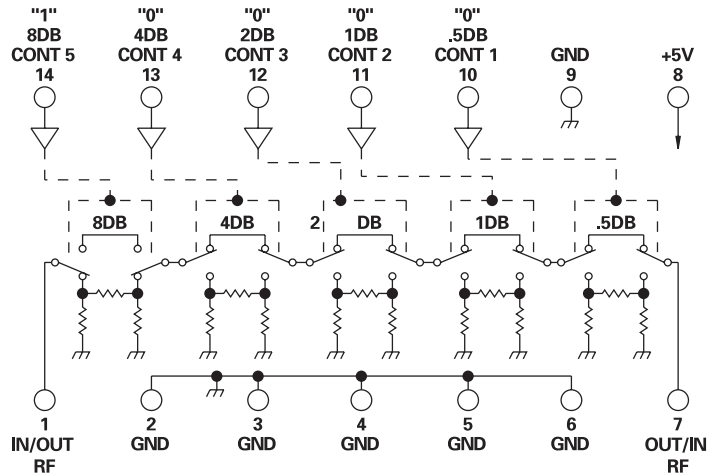
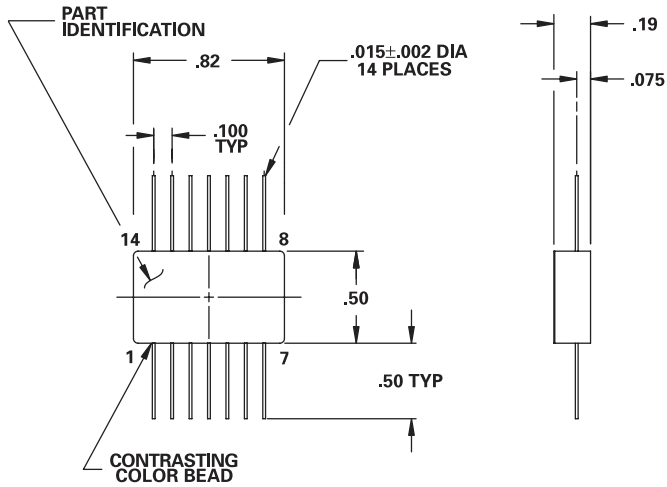
MODEL NUMBER DAT58019

GaAs 5 Section Attenuator

FEATURES

- 10- 1000 MHz
- 0.7 mA, +5 VDC
- 0.5 dB LSB, 15.5 dB Range
- 1.9 dB Insertion Loss
- 17 nSec Switching Speed
- TTL Control
- 14 Pin Flatpack

5 BIT



GUARANTEED PERFORMANCE

Parameter	Min	Typ	Max	Units	Conditions
Operating Frequency	10		1000	MHz	
DC Current		0.7	2.0	mA	At +5 VDC Supply
Control Type		TTL			5 Line Logic "0" = Thru Logic "1" = Attenuation
Control Current	High Low	1 1	±20 ±20	µA	V _{IH} = +2.7 V V _{IL} = +0.5 V
Insertion Loss		1.9	2.5	dB	
Attenuation	LSB Range Accuracy	0.5 15.5		dB dB dB	0.5, 1, 2, 4, 8 ± (0.25 dB ± 3% of Atten. Setting in dB)
VSWR		1.4/1	1.6/1		
Impedance		50		OHMS	
Switching Speed		17	30	nSec	50% TTL - 90% / 10% RF
Transition (Rise/Fall) Time		12		nSec	10% / 90% - 90% / 10% RF
Switching (Video) Transients		76		mV	Peak Value
Intercept Points	2nd 3rd	+60 +42		dBm	70 MHz / 50 MHz 70 MHz / 50 MHz
RF Power	Operate No Damage	+6.7 +12.7	+6 +10 +23	dBm dBm dBm	1.0 dB Compression <50 MHz 1.0 dB Compression >50 MHz
Operating Temperature	-55	+25	+85	°C	TA