

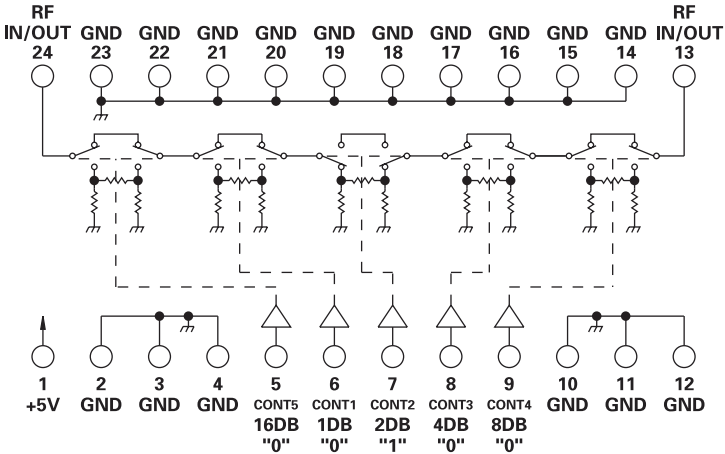
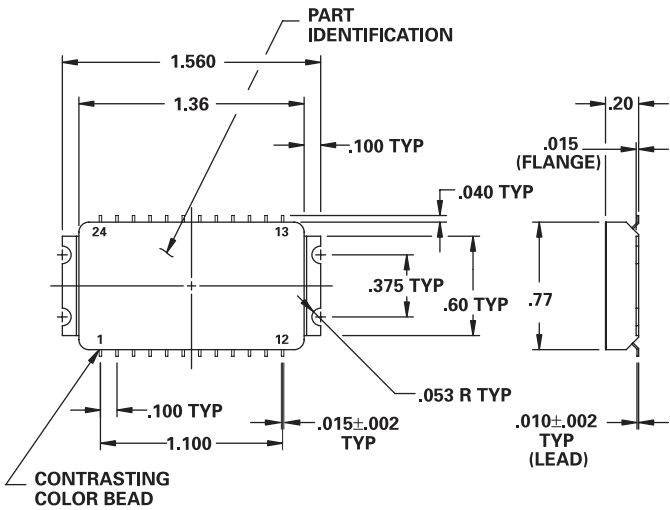
**MODEL NUMBER  
DA0760**

**PIN Diode 5 Section Attenuator**

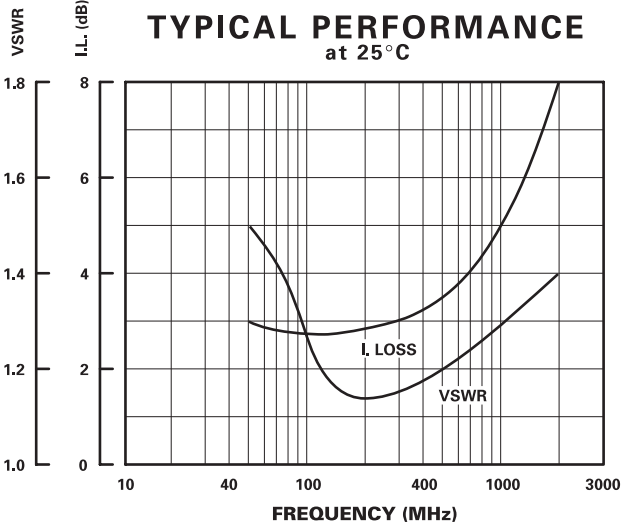
**FEATURES**

- 100-1000 MHz
- 7 mA, + 5 VDC
- 1 dB LSB, 31 dB Range
- TTL Control
- 24 Pin Surface Mount Package

**5 BIT**



**GUARANTEED PERFORMANCE**



Parameter	Min	Typ	Max	Units	Conditions
Operating Frequency	100		1000	MHz	
DC Current		7	20	mA	At +5 VDC Supply
Control Current		1.0	±10	µA	VIH = +2.7 V
		1.0	±10	µA	VIL = +0.5 V
Insertion Loss		4.0	5.0	dB	100 - 500 MHz
		5.0	6.0	dB	500 - 1000 MHz
Attenuation		1		dB	
		0	31	dB	1, 2, 4, 8, 16 dB
				dB	± (0.25 dB ± 3% of Atten. Setting in dB)
VSWR		1.3/1	1.5/1		
Impedance		50		OHMS	
Switching Speed		2	3	µSec	50% TTL to 90% / 10% RF
Transition (Rise/Fall) Time		250	500	nSec	90% / 10% or 10% / 90% RF
Switching (Video) Transients		100	500	mV	Peak Value
Intercept Points			+60	dBm	400 MHz / 190 MHz
			+33	dBm	300 MHz / 390 MHz
RF Power			+13	dBm	0.1 dB Compression
			+27	dBm	No Damage
Operating Temperature	-55	+25	+125	°C	TA