

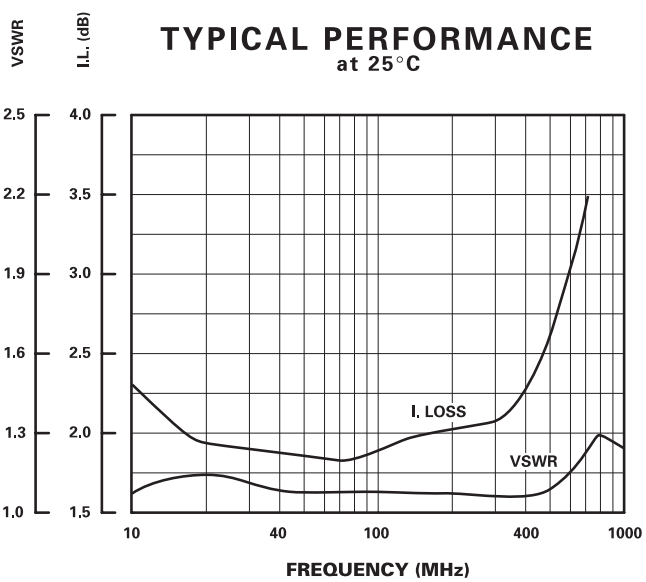
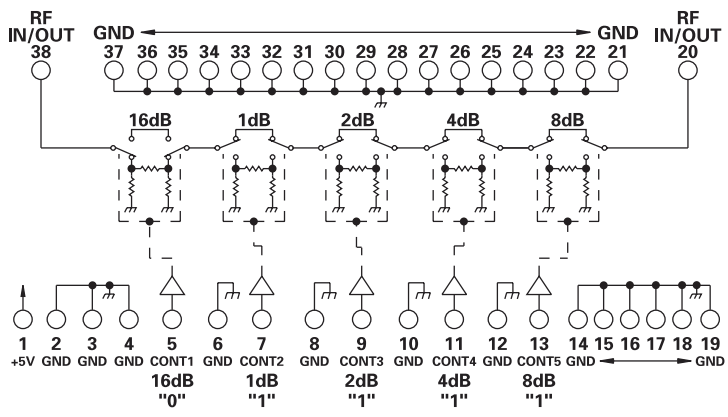
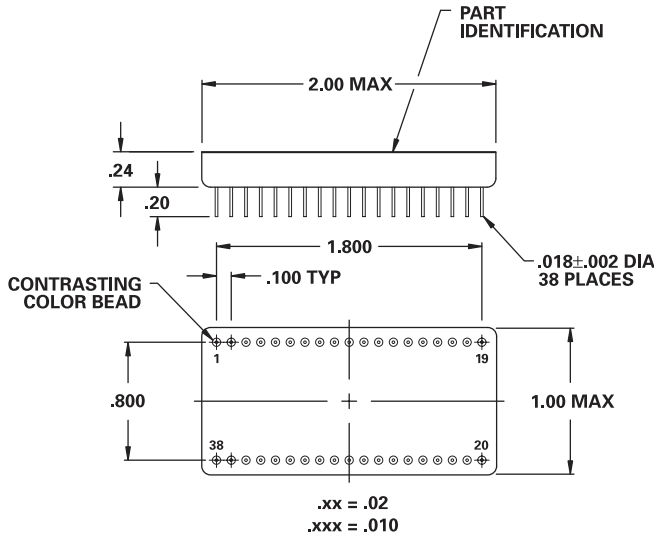
# MODEL NUMBER DA0659

# PIN Diode 5 Section Attenuator

## FEATURES

- 30-300 MHz
- 1 dB LSB, 31 dB Range
- Constant Phase
- 2.2 dB Insertion Loss
- +37 dBm 3rd Order Intercept
- TTL Driver
- 38 Pin DIP

## 5 BIT



## GUARANTEED PERFORMANCE

Parameter	Min	Typ	Max	Units	Conditions
Operating Frequency	30		300	MHz	
DC Current		50	60	mA	At +5 VDC Supply
Control Type		TTL			5 Line Logic "0" = Attenuation Logic "1" = Thru
Control Current	High Low	1.0 1.0	±10 ±10	µA	V <sub>IH</sub> = +2.7 V V <sub>IL</sub> = +0.5 V
Insertion Loss		2.2	3.0	dB	100 - 200 MHz
Attenuation	LSB Range Accuracy	0	1 31	dB	1, 2, 4, 8, 16 ± (0.15 dB ± 2% of Atten. Setting in dB)
Phase Vs. Attenuation			±1.25 ±1.88 ±2.50 ±3.13	DEG	30 - 70 MHz 70 - 150 MHz 150 - 200 MHz 200 - 300 MHz
VSWR		1.1/1	1.22/1		
Impedance		50		OHMS	
Switching Speed		0.6	1	µSec	50% TTL to 90% / 10% RF
Transition (Rise/Fall) Time		90		nSec	90% / 10% or 10% / 90% RF
Switching (Video) Transients		1.0		V	Peak Value
Intercept Points	2nd 3rd	+70 +37		dBm	34.8 MHz / 52.2 MHz 69.6 MHz / 52.2 MHz
RF Power	Operate No Damage	+14 +27	+10 +27	dBm	0.1 dB Compression
Operating Temperature	-55	+25	+125	°C	TA