



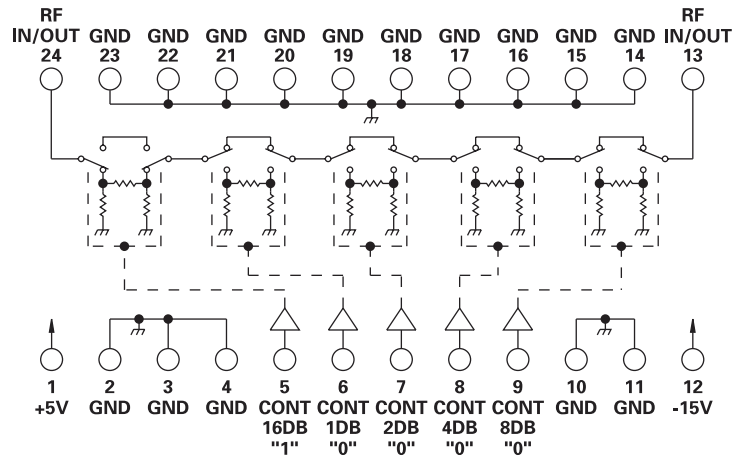
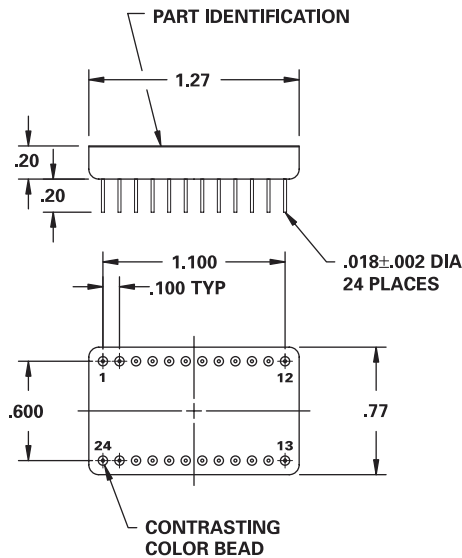
MODEL NUMBER DAT51995

GaAs 5 Section Attenuator

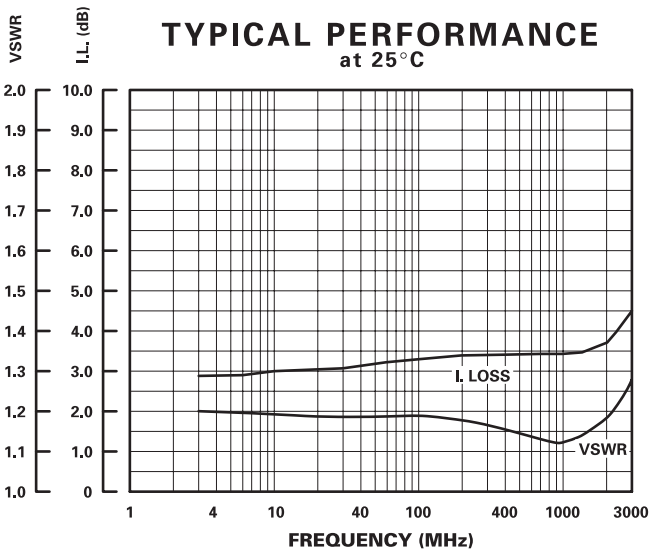
FEATURES

- DC - 2000 MHz
- < 1 mA, +5 VDC & -15 VDC
- 1 dB LSB, 31 dB Range
- 4 dB Insertion Loss
- 20 nSec Switching Speed
- TTL Control
- 24 Pin DIP

5 BIT



GUARANTEED PERFORMANCE



Parameter	Min	Typ	Max	Units	Conditions
Operating Frequency	DC		2000	MHz	
DC Current		0.1 1.0	5 5	mA mA	At +5 VDC Supply At -15 VDC Supply
Control Type		TTL			5 Line Logic "0" = Thru Logic "1" = Attenuation
Control Current	High Low	1.0 1.0	±10 ±10	µA µA	V _{IH} = +2.7 V V _{IL} = +0.5 V
Insertion Loss		3.7 4.0	4.5 6.0	dB dB	DC - 1000 MHz 1000 - 2000 MHz
Attenuation	LSB Range Accuracy	0	1 31	dB dB dB	1, 2, 4, 8, 16 ±(0.25 dB ± 3% of Atten. Setting in dB)
VSWR		1.2/1	1.5/1		
Impedance		50		OHMS	
Switching Speed		20	50	nSec	50% TTL to 90% / 10% RF
Transition (Rise/Fall) Time		8		nSec	90% / 10% or 10% / 90% RF
Switching (Video) Transients		30		mV	Peak Value
Intercept Points	2nd 3rd	+72 +33		dBm dBm	214 MHz / 127 MHz 107 MHz / 127 MHz
RF Power	Operate No Damage	+16	+10 +23	dBm dBm	0.1 dB Compression @ 10 MHz
Operating Temperature		-55	+25 +125	°C	TA