

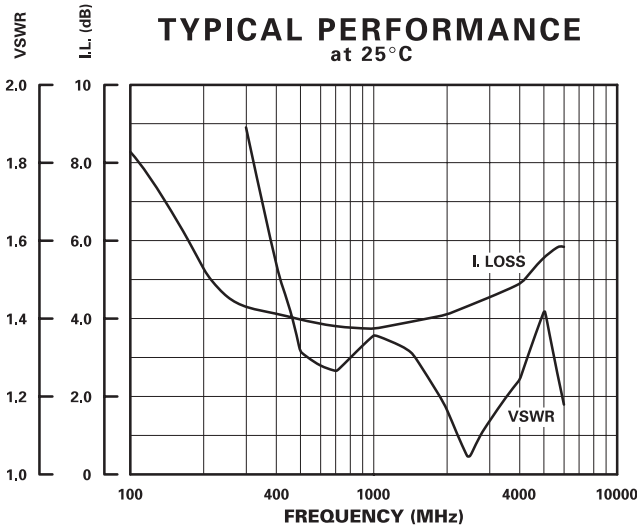
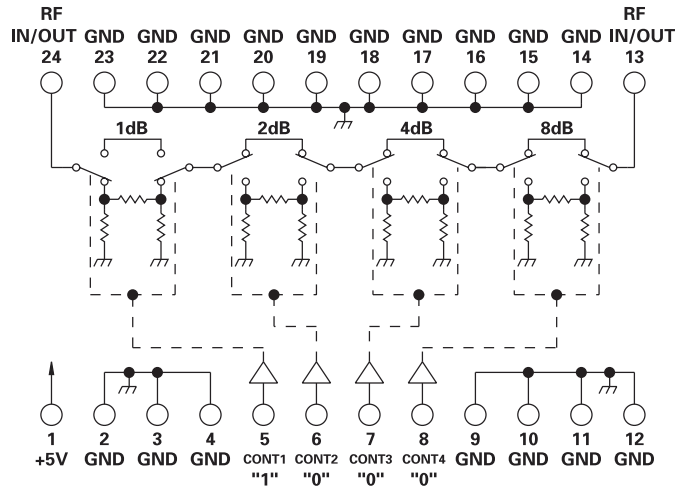
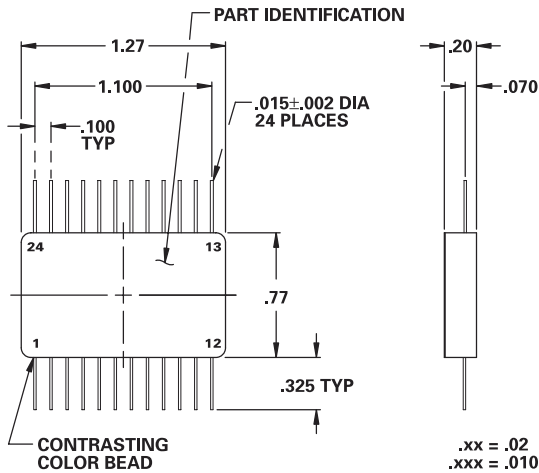
# MODEL NUMBER DAT48062

# Attenuator 4 Section

## FEATURES

- 10-2000 MHz
- 50 nSec Switching Speed
- CMOS Control
- 24 Pin Flatpack

## 4 BIT



## GUARANTEED PERFORMANCE

Parameter	Min	Typ	Max	Units	Conditions
Operating Frequency	1800		4200	MHz	
DC Current		0.8	5.0	mA	At +5 VDC Supply
Control Type		CMOS			4 Line Logic "0" = Thru Logic "1" = Attenuation
Control Current	High	0	±40	µA	2.7 Volts
	Low	0	±40	µA	0.5 Volts
Insertion Loss		5.0	6.0	dB	
Attenuation	LSB Range Accuracy	0	15	dB	1, 2, 4, 8 ± (0.25 dB +5% of Atten. Setting in dB)
	Flatness		+0.2	dB	
VSWR		1.3/1	1.7/1		
Impedance		50		OHMS	
Switching Speed		27	50	nSec	50% TTL to 90% / 10% RF 90% / 10% RF
Transition (Rise/Fall) Time		12		nSec	90% / 10% or 10% / 90% RF
Switching (Video) Transients		75		mV	Peak Value
Intercept Points	2nd	+65	+70	dBm	1950 / 750 MHz Inputs
	3rd	+38	+43	dBm	975 / 750 MHz Inputs
RF Power	Operate		+22	dBm	0.1 dB Compression
	No Damage		+10	dBm	
Operating Temperature		0	+25	°C	TA
Non-Operating Temperature		-34	+95	°C	TA