

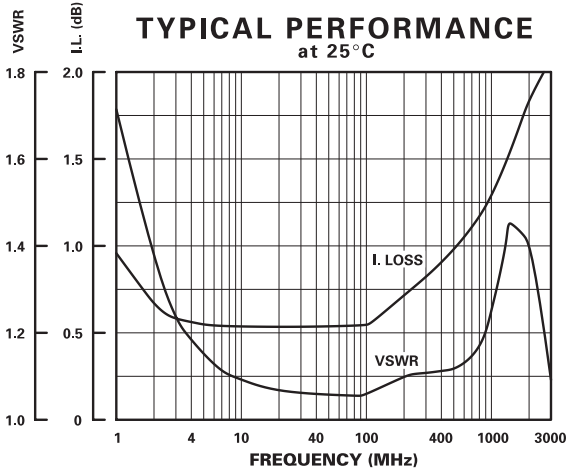
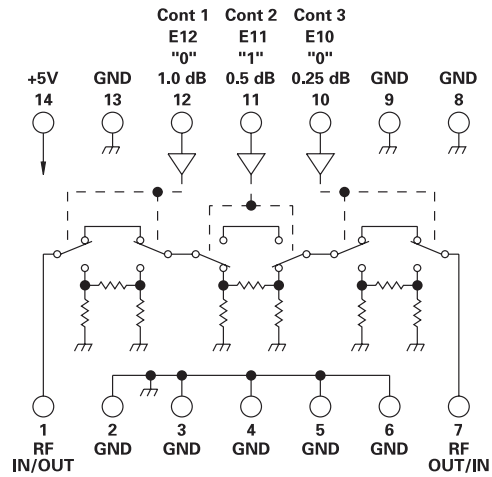
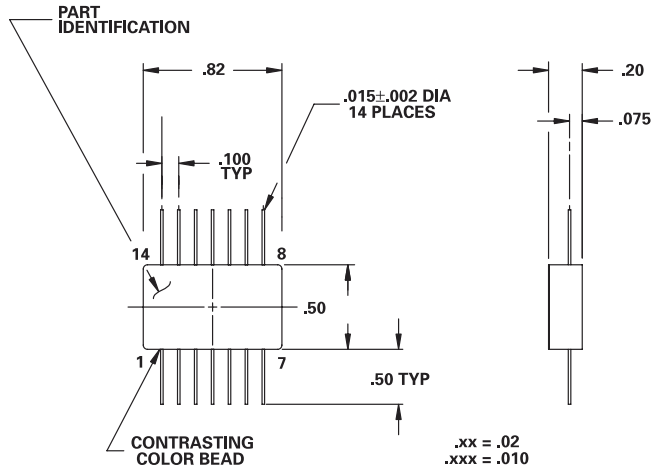
MODEL NUMBER DAT38031

GaAs 3 Section Attenuator

FEATURES

- 10-1000 MHz
- 0.25 dB LSB, 1.75 dB Range
- 20 nSec Switching Speed
- 70 mV Transients
- 2.4 mA @ +5 VDC
- 14 PIN Flatpack

3 BIT



CONTROL DECODING			
CONTROL INPUT			ATTENUATION
E12	E11	E10	SETTING
0	0	0	REFERENCE (THRU LINE)
0	0	1	.025 dB
0	1	0	0.50 dB
0	1	1	0.75 dB
1	0	0	1.0 dB
1	0	1	1.25 dB
1	1	0	1.50 dB
1	1	1	1.75 dB

GUARANTEED PERFORMANCE

Parameter	Min	Typ	Max	Units	Conditions
Operating Frequency	10		1000	MHz	
DC Current		2.4	5	mA	At +5 VDC Supply
Control Type		TTL			3 Line See Decoding Table
Control Current	High Low	0 0	50 -500	μA	VIH = +2.0 Volts VIL = +0.8 Volts
Insertion Loss		1.4	2.0	dB	
Attenuation	LSB Range Accuracy		.25 1.75 ±0.2	dB dB dB	0.25, 0.50, 1.0
VSWR		1.15/1	1.6/1		
Impedance		50		OHMS	
Switching Speed		20	200	nSec	50% TTL or 10% / 90% RF
Transition (Rise/Fall) Time		10	100	nSec	90% / 10% or 10% / 90% RF
Switching (Video) Transients		70	100	mV	Peak Value
Intercept Points	2nd 3rd	+30	+41	dBm dBm	
RF Power	Operate No Damage	+15	+10 +10	dBm dBm	0.1 dB Compression
Operating Temperature	-40	+25	+90	°C	TA