

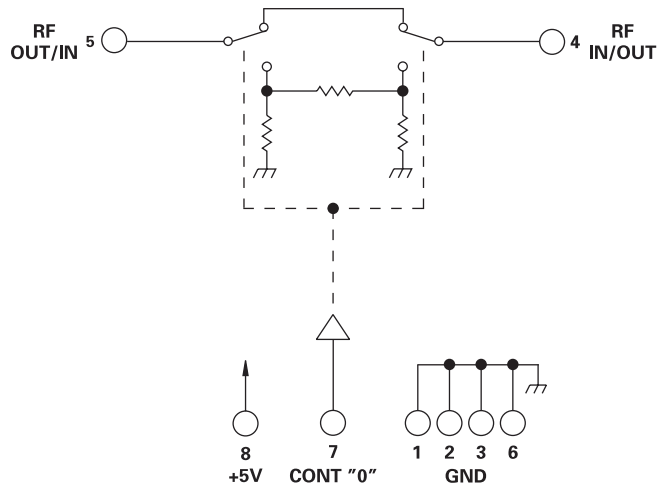
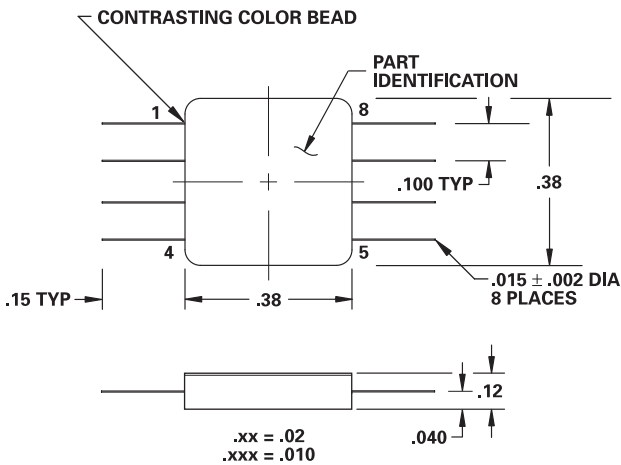
**MODEL NUMBER
DA0944-10**

GaAs 1 Section Attenuator

FEATURES

- 5-1000 MHz
- 0.4 mA, +5 VDC
- TTL Control
- 0.380 Sq. Package

1 BIT



GUARANTEED PERFORMANCE

Parameter	Min	Typ	Max	Units	Conditions
Operating Frequency	5		1000	MHz	
DC Current		0.4	1.0	mA	At +5 VDC Supply
Control Type		TTL			1 Line Logic "0" = Thru Logic "1" = Attenuation
Control Current		0	±20	µA	VIH = +3.0 V VIL = +0.5 V
Insertion Loss		0.9	1.2	dB	5 - 200 MHz
		1.4	2.0	dB	200 - 1000 MHz
Attenuation	LSB			dB	10
	Range	0		dB	
	Accuracy		10	dB	± (0.25 dB +2% of Atten. Setting in dB)
VSWR		1.2/1	1.35/1		
Impedance		50		OHMS	
Switching Speed		30	50	nSec	50% TTL to 90% / 10% RF
Transition (Rise/Fall) Time		20		nSec	10% / 90% - 90% / 10% RF
Switching (Video) Transients		45		mV	Peak Value
Intercept Points	2nd	+73		dBm	70 MHz / 50 MHz
	3rd	+48		dBm	35 MHz / 50 MHz
RF Power	Operate	+13	+10	dBm	0.1 dB Compression
	No Damage		+30	dBm	
Operating Temperature	-55	+25	+125	°C	TA

