

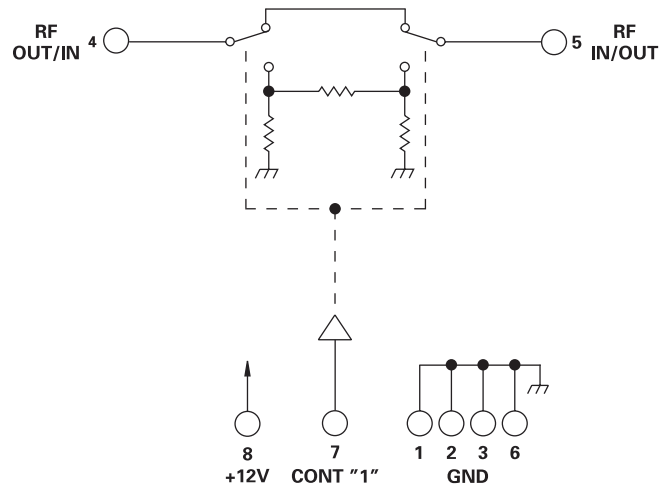
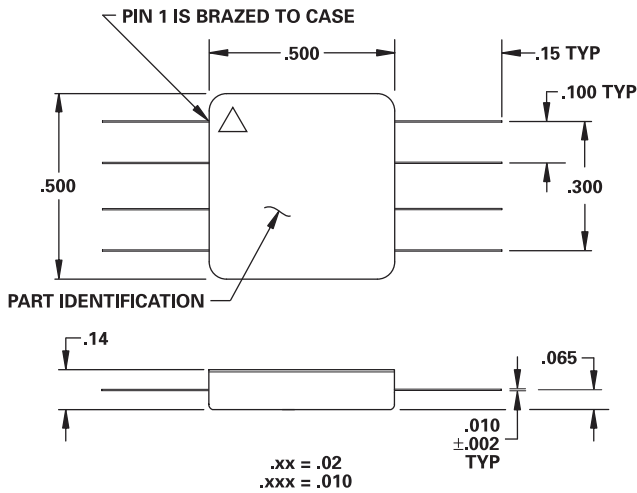
MODEL NUMBER DA0879

PIN Diode 1 Section Attenuator

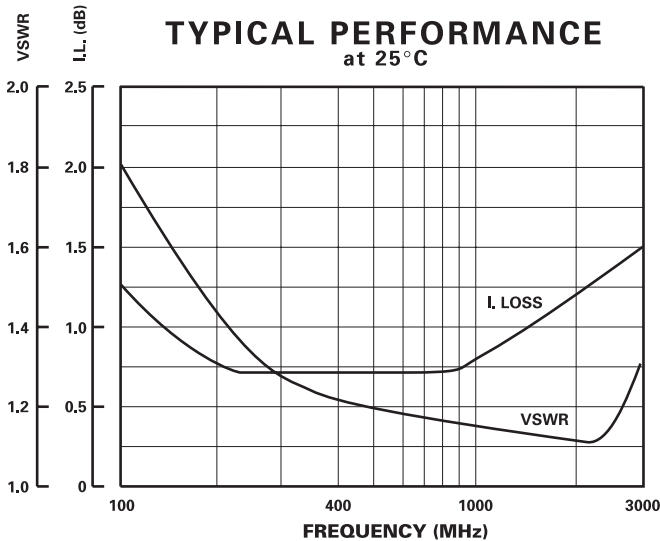
FEATURES

- 800-1200 MHz
- 50 dB Attenuator
- 0.9 dB Insertion Loss
- Constant Phase
- TTL Control
- Small 8 Pin 0.5 Sq. Package

1 BIT



GUARANTEED PERFORMANCE



Parameter	Min	Typ	Max	Units	Conditions
Operating Frequency	800		1200	MHz	
DC Current		14	20	mA	At +12 VDC Supply
Control Type		TTL			1 Line Logic "0" = Attenuation Logic "1" = Thru
Control Current	High	0		μA	V _{IH} = +2.7 V
	Low	0		μA	V _{IL} = +0.5 V
Insertion Loss		0.9	1.2	dB	
Attenuation	LSB	50		dB	±(0.25 dB +2% of Atten. Setting in dB)
	Range Accuracy	0	50	dB	
Phase Change Vs. Attenuation		2	±5	DEG	
VSWR		1.15/1	1.25/1		
Impedance		50		OHMS	
Switching Speed		0.3	1	μSec	50% TTL to 90% / 10% RF
Transition (Rise/Fall) Time		80		nSec	90% / 10% or 10% / 90% RF
Switching (Video) Transients		2.1		V	Peak Value
Intercept Points	2nd	+90		dBm	155 MHz / 750 MHz
	3rd	+45		dBm	755 MHz / 750 MHz
RF Power	Operate	+30	+20	dBm	0.1 dB Compression
	No Damage	+30	+30	dBm	
Operating Temperature	-55	+25	+125	°C	TA